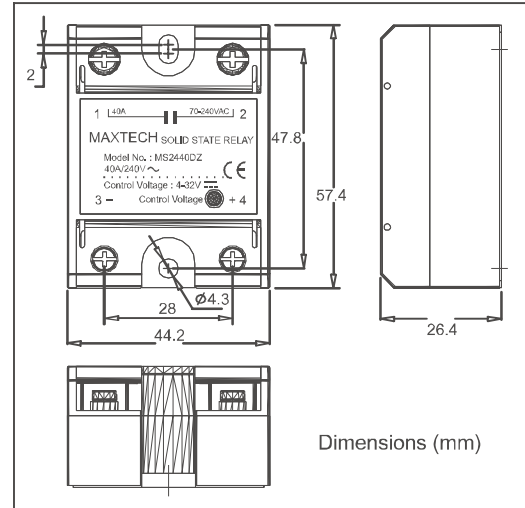


AC SOLID STATE RELAY



FEATURES:

1. All solid state, optically coupled for 2500 VAC isolation between input and output circuit.
2. Removable protective cover(IP20) can easily apply ring terminals.
3. Able to be driven by IC such as TTL & CMOS.
4. Built-in sunbber and MOV to prevent false trigger.
5. A LED can indicate the operating of devices.
6. Zero crossing AC output can reduce EMI noise.

Input Specifications	
Control Voltage range (Vdc)	4-32V
Current	5mA(at 4V) 15 mA(at 32V)
Maximum pickup voltage	4V
Minimum dropout voltage	2V

General Characteristics	
Response time	1/2 cycle + 1mSec. (50Hz)
Input to output dielectric strength	> 10 ⁸ ohms
Input to output isolation voltage	2500 Vrms
Input/Output to baseplate isolation voltage	2500 Vrms
Operating temperature	-20°C to +80°C
Storage temperature	-40°C to +100°C

Output Specifications	MS2410DZ	MS2415DZ	MS2420DZ	MS2425DZ	MS2440DZ
Voltage Range (Vac)	70-340 Vrms				
Peak voltage (t=1min.)	600 V				
Maximum current (Arms)	10 A	15 A	20 A	25 A	40 A
Max.1-cycle surge (50Hz)	100 A	160 A	210 A	260 A	410 A
I ² t (t=10ms)A ² s	78A ² S	144A ² S	200A ² S	340A ² S	880A ² S
Maximum off-state leakage (T=25°C)	1.8mArms (at 120VAC)	3.5mArms (at 240VAC)	5mArms (at 340VAC)		
Max. on-state voltage drop	1.5V (at I _{max} and T=25°C)				
Thermal resistance (junction to baseplate)	2.1	2.05	0.9	0.9	0.9