

# COMPACT ULTRASONIC, SOLID STATE LIQUID LEVEL SWITCH

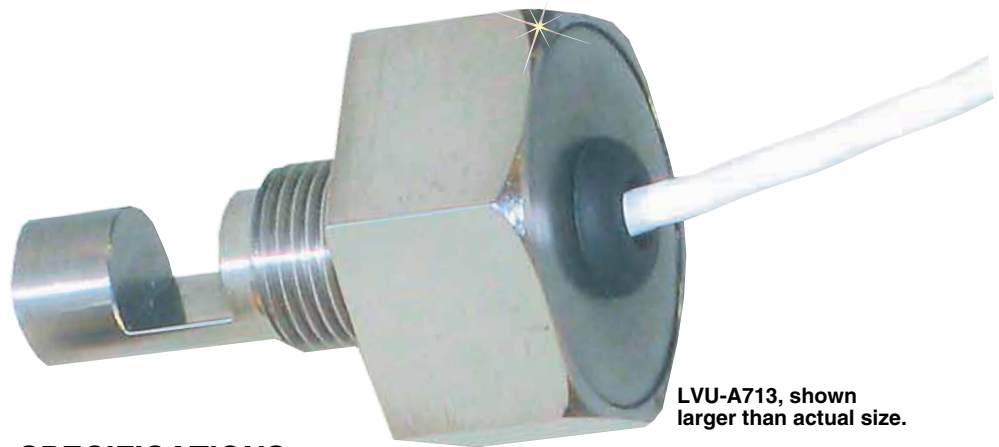
## LVU-A710 Series



- ✓ Easy to Install
- ✓ No Moving Parts
- ✓ Epoxy-Sealed Integral Electronics with Sensor
- ✓ Low-Cost Replacement to Mechanical Float

The LVU-A710 Series compact solid state liquid level switch is a great replacement for mechanical float-type liquid level devices. The switch employs proven ultrasonic technology and solid state integral electronics in a small package.

The LVU-A710 Series provides reliable operation in virtually any liquid, regardless of viscosity. This eliminates problems of stickiness and failure rate due to finite mechanical life inherent in the mechanical float design. The combination of fully epoxy-sealed electronics and ultrasonic sensing technology will provide years of maintenance-free service.



LVU-A713, shown larger than actual size.

### SPECIFICATIONS

**Repeatability:** 2 mm or better

**Delay:** 0.5 sec

**Input Power:** 5 to 30 Vdc

**Leakage Current:** Less than 50 uA

**Outputs:**

**Source:** 100 mA max

**Sink:** 100 mA max

**Relay Output:** 1 A SPST (NO, C)

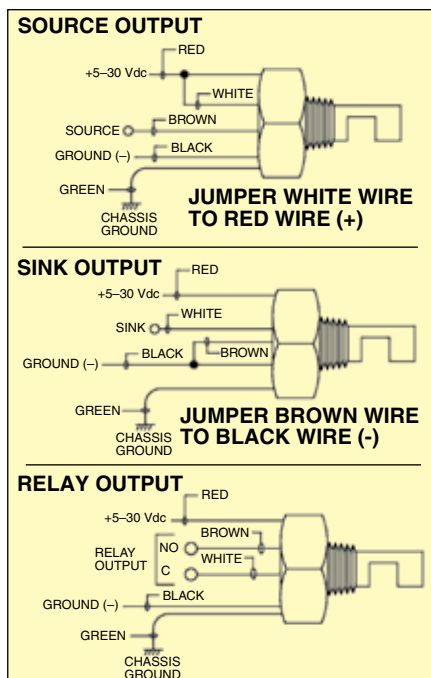
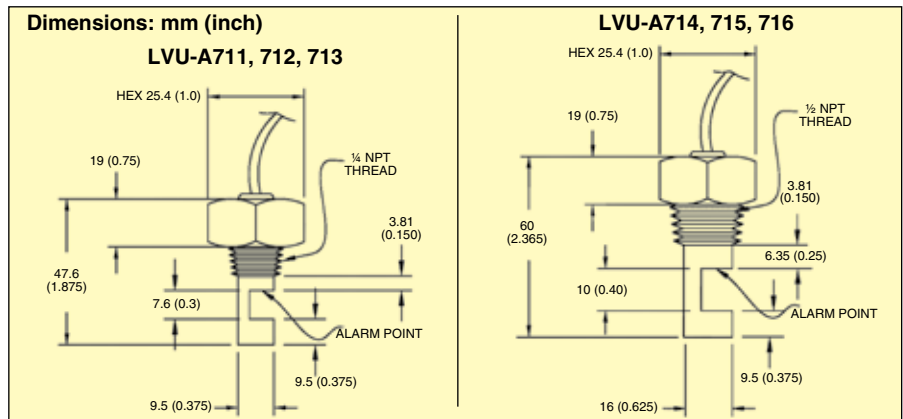
**Protection:** Transient, reverse polarity

**Sensor:** 316 LSS

**Temperature:** -29 to 80°C (-20 to 176°F)

**Pressure:** Up to 1000 psig (6895 kPa)

**Mounting:** ¼ or ½ NPT (depending on model number)



### To Order

Model No.	Description
LVU-A711	¼ NPT level switch, 316 LSS sinking output
LVU-A712	¼ NPT level switch, 316 LSS sourcing output
LVU-A713	¼ NPT level switch, 316 LSS SPST NO relay
LVU-A714	½ NPT level switch, 316 LSS sinking output
LVU-A715	½ NPT level switch, 316 LSS sourcing output
LVU-A716	½ NPT level switch, 316 LSS SPST NO relay

### Accessory

Model No.	Description
PSU-93	Unregulated 24 Vdc power supply

Comes complete with operator's manual.

**Ordering Examples:** LVU-A713, 316 LSS, ¼ NPT, 1A SPST relay ultrasonic switch.  
LVU-A716, 316 LSS, ½ NPT, 1A SPST relay ultrasonic switch.