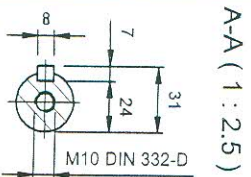
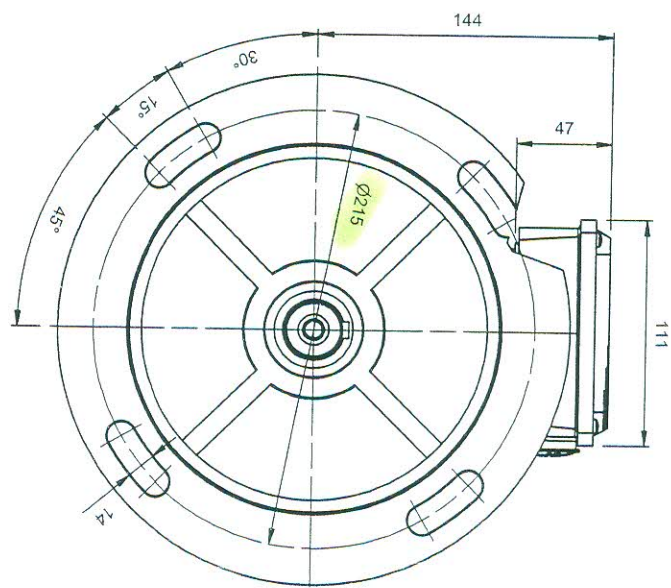
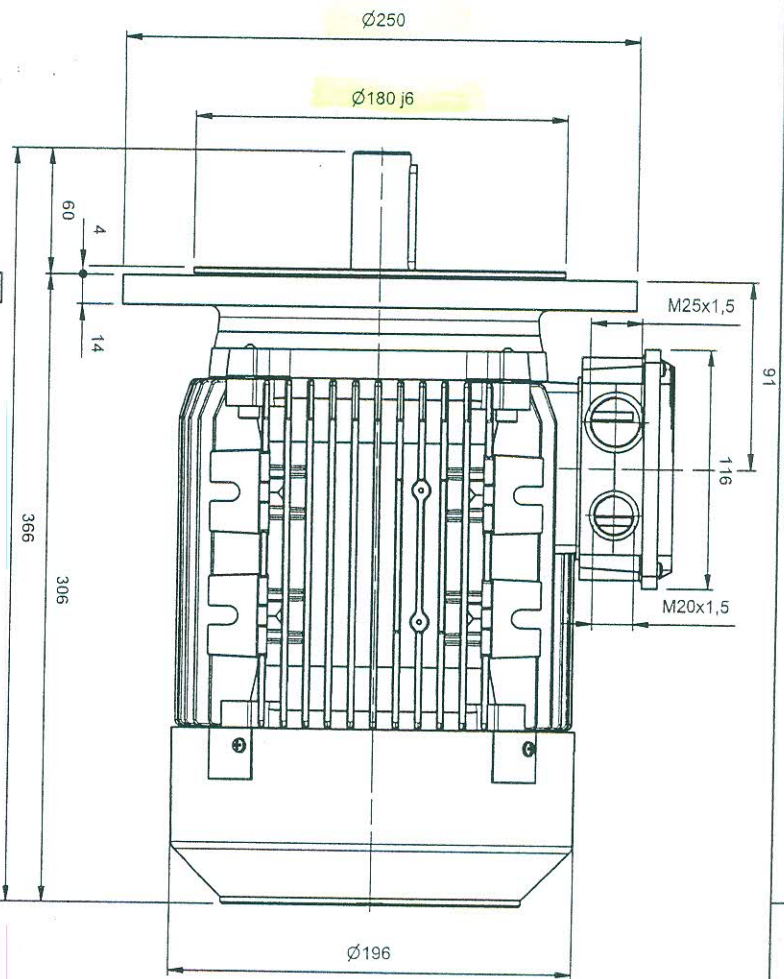
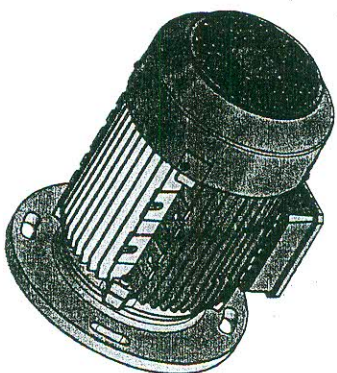
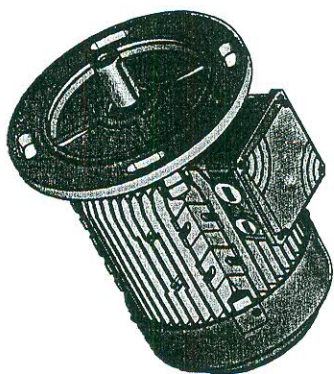
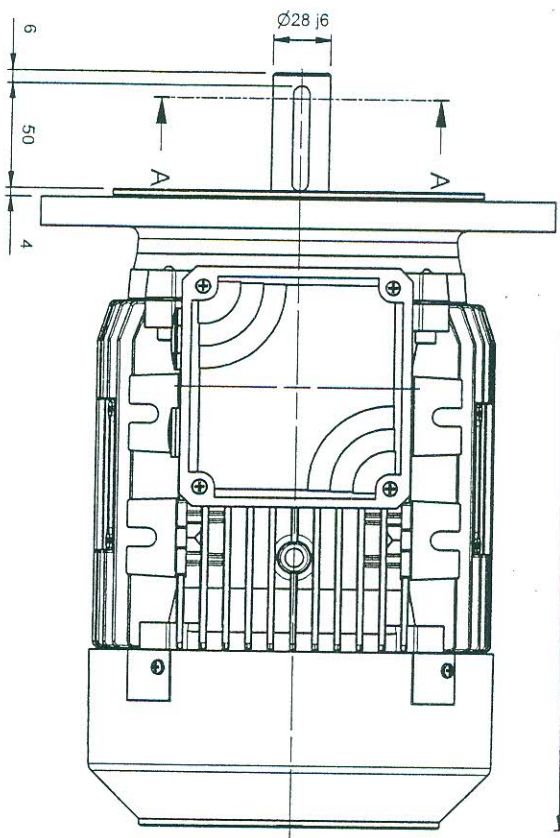


ITEM I	UNIT	QUANTITY	DESCRIPTION
			<p>"AEG" ELEC. MOTOR, 3 KW, 400 V., RPM 1390, <i>EX-5002-M07</i> 6.8 A., TYPE AM100LT-4, IPSS, SIZE 100 REF. AEG, GERMANY LOCATION AMP - <i>HD PLANT</i></p>
1	NO	1	MOTOR COMPLETE
			<p>***** TOTAL ITEMS:01//01 *****</p>
			<p><i>TYPE : AM 100 LT-4</i></p>
			<p><i>Efficiency Level: IE1</i></p>
			<p><i>Pole number : 4</i></p>
			<p><i>Mounting Arrangement (IM-code): IMB5</i></p>
			<p><i>Rated out put : 3KW</i></p>



A-A (1 : 2,5)



COM 00095

DE NOMINAZIONE / DESCRIZIONE
 Complesso motore tipo AM 100L B5

N. DISEGNO
 COM 00095

REVISIONE / REVISIONI
 02

DATA / DATA
 14/07/2000