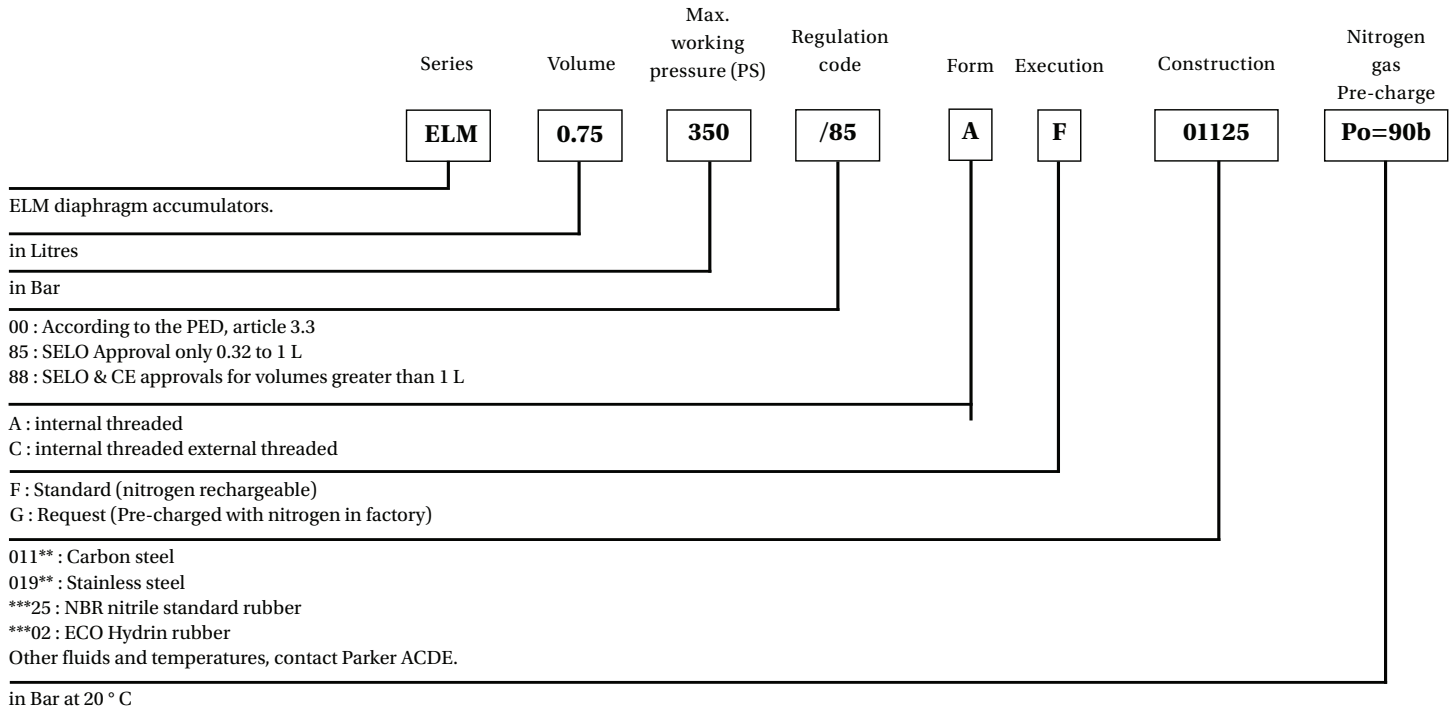
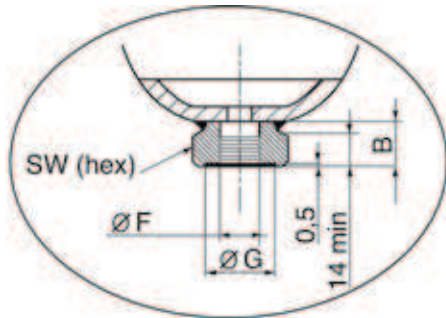


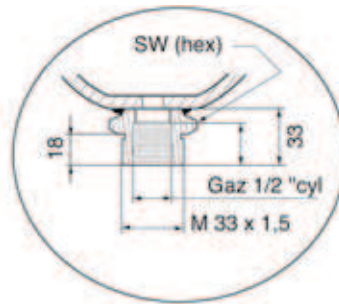
ELM Series: How to order a Diaphragm Accumulator



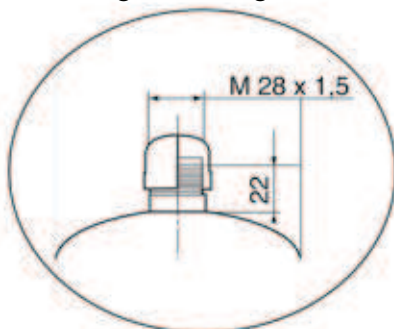
Form A



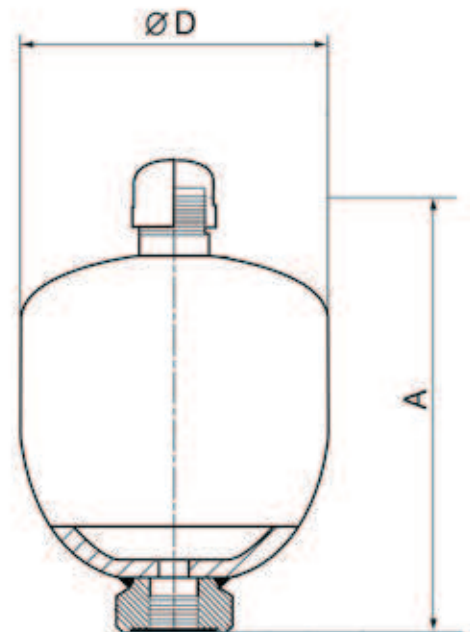
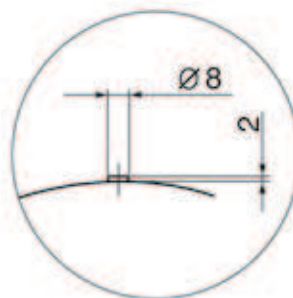
Form C



F standard execution
Nitrogen rechargeable



G execution at request
Nitrogen pre-charged in factory



ELM Series 140 - 350 BAR, 0.075 to 1.4 Litres

Standard Version (Steel casing/mix NBR) for mineral oils temperature from
 According to PED 97/23/EC, Fluid Group 2 and SELO
Part numbers, Accessories, Dimensions

Type Part number	Pre-charge	Clamps	Lock nut
	1 - 130 bar	Model (quantity) Part number	Model (quantity) Part number
ELM 0.075-250/00/AF* 10849201125	751013	-	-
ELM 0.16-250/00/AF* 10849301125	751013	-	-
ELM 0.32-210/85/AF* 10986601125	751000	E95 (1) 20250803648	-
ELM 0.5-210/85/AF* 10849501125	751000	E106 (1) 20250903648	-
ELM 0.5-210/85/CF* 10849601125	751000	E106 (1) 20250903648	M33x1.5 10945700100
ELM 0.75-210/85/AF* 10849701125	751010	E114 (1) 20251003648	-
ELM 0.75-210/85/CF* 10849801125	751010	E114 (1) 20251003648	M33x1.5 10945700100
ELM 0.75-350/85/AF* 10931801125	751010	E136 (1) 20251103648	-
ELM 0.75-350/85/CF* 10931901125	751010	E136 (1) 20251103648	M33x1.5 10945700100
ELM 1 - 210/85/AF* 10984701125	751001	E136 (1) 20251103648	-
ELM 1 - 210/85/CF* 10984801125	751001	E136 (1) 20251103648	M33x1.5 10945700100
ELM 1 - 350/85/AF* 11110901125	751014	E136 (1) 20251103648	-
ELM 1 - 350/85/CF* 11111001125	751001	E136 (1) 20251103648	M33x1.5 10945700100
ELM 1.4 - 140/88/AF 10850201125	751014	E155 (1) 20251203648	-
ELM 1.4 - 140/88/CF 10850301125	751014	E155 (1) 20251203648	M33x1.5 10945700100
ELM 1.4 - 210/88/AF 10996501125	751014	E155 (1) 20251203648	-
ELM 1.4 - 210/88/CF 10996601125	751014	E155 (1) 20251203648	M33x1.5 10945700100

* According to the PED, article 3.3

Type	Effective Gas vol. Litres	Max. Working pressure (PS) bar	Temp. Min/ Max (°C) (1)	Execution form	Max. Pre-charge bar	Max compression in bar ratio P2/P0	Max Pressure amplitude P2-P1	Weight kg	Dimensions in mm					Oilport	
									A max Height	B	SW	D	G	F	H
ELM 0.075-250/00/ AF*	0.075	250	-10/+80	AF	130	8	210	0.7	112	20	32	64	29	G½	-
ELM 0.16-250/00/ AF*	0.16	250	-10/+80	AF	130	6	210	1	120	20	32	75	29	G½	-
ELM 0.32-210/85/ AF*	0.32	210	-10/+80	AF	130	8	140	1.4	135	20	32	92	29	G½	-
ELM 0.5-210/85/AF*	0.50	210	-20/+80	AF	130	8	175	2	153	22	41	106	34	G½	-
ELM 0.5-210/85/CF*	0.50	210	-20/+80	CF	130	8	175	2	164	33	41	106	-	G½	M33x1.5
ELM 0.75-210/85/ AF*	0.75	210	-20/+80	AF	130	8	175	2.6	167	22	41	122	34	G½	-
ELM 0.75-210/85/ CF*	0.75	210	-20/+80	CF	130	8	175	2.6	178	33	41	122	-	G½	M33x1.5
ELM 0.75-350/85/ AF*	0.75	350	-20/+80	AF	130	8	150	4	174	22	41	133	34	G½	-
ELM 0.75-350/85/ CF*	0.75	350	-20/+80	CF	130	8	150	4	182	33	41	128	-	G½	M33x1.5
ELM 1-210/85/AF*	1	210	-20/+80	AF	130	8	170	3.5	184	22	41	136	34	G½	-
ELM 1-210/85/CF*	1	210	-20/+80	CF	130	8	170	3.5	192	33	41	136	-	G½	M33x1.5
ELM 1 - 350/85/AF*	1	350	-20/+80	AF	130	8	150	5	200	22	41	129	34	G½	-
ELM 1 - 350/85/CF*	1	350	-20/+80	CF	130	8	150	5	211	33	41	129	-	G½	M33x1.5
ELM 1.4-140/88/AF	1.40	140	-20/+80	AF	130	8	120	5	192	22	41	147	34	G½	-
ELM 1.4-140/88/CF	1.40	140	-20/+80	CF	130	8	120	5	203	33	41	147	-	G½	M33x1.5
ELM 1.4-210/88/AF	1.40	210	-20/+80	AF	130	8	120	5	192	22	41	147	34	G½	-
ELM 1.4-210/88/CF	1.40	210	-20/+80	CF	130	8	120	5	203	33	41	147	-	G½	M33x1.5

Above dimensions are in mm and are subject to manufacturing tolerances.

See drawing on page 141