


REV. DATE	DESCRIPTION	MESSRS	
		<p style="text-align: center;">INSULATION RESISTANCE METER - MΩ METER -</p> <p style="text-align: right;">12 sheets with cover</p>	
		 LUXCO CO., LTD. 980-17, Jangrim-dong, Saha-gu, Busan, 604-040, Korea TEL : +82-51-262-8588 FAX : +82-51-262-8538 http://www.luxco.co.kr	
		CLASS	
		APPROVED BY	C. G. CHOI
		CHECKED BY	C. G. YI
		DESIGNED BY	M. R. JANG
		DATE	2010. 01. 27
		DRAW No.	T2A1-2700

CONTENTS

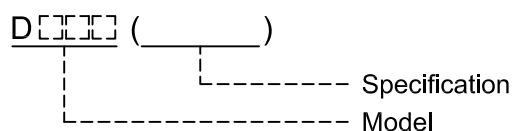
	<u>Sheet No.</u>
1. GENERAL INFORMATION	
GENERAL SPECIFICATIONS-----	02
ORDERING INFORMATION-----	02
2. DIMENSION	
D110A (110 x 110) -----	03
D80A (80 x 80) -----	04
D96A, D96B (96 x 96) -----	05
D72A (72 x 72) -----	06
3. SPECIFICATION	
1mA, 0~5MΩ -----	07
1mA, 0~50MΩ -----	08
1mA, 0~1000MΩ -----	09
250μA, 0~1MΩ -----	10
250μA, 0~10MΩ -----	11

GENERAL INFORMATION

■ GENERAL SPECIFICATIONS

- 1) Operating Temperature : -10°C ~ 55°C (with noicing)
- 2) Humidity : 80% RH
- 3) Operating Principle : Moving coil type
- 4) "0 MΩ" setting VR : Inclusion
- 5) Moving Method : Pivot & the spring-mounted jewel
- 6) Dielectirc Strength : Between electric circuit and case 2000V, 1min.
- 7) Insulation Resistance : Between electric circuit and case 10MΩ

■ ORDERING INFORMATION

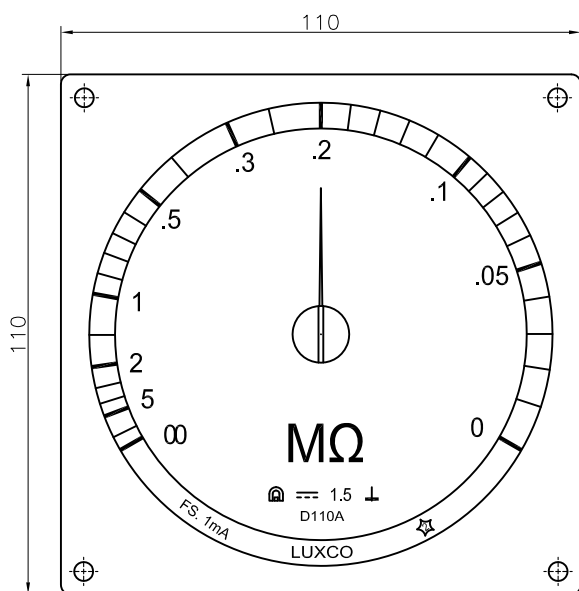


Model	Size	Scale
D110A	110 x 110	250°
D80A	80 x 80	250°
D96A	96 x 96	90°
D96B	96 x 96	250°
D72A	72 x 72	90°

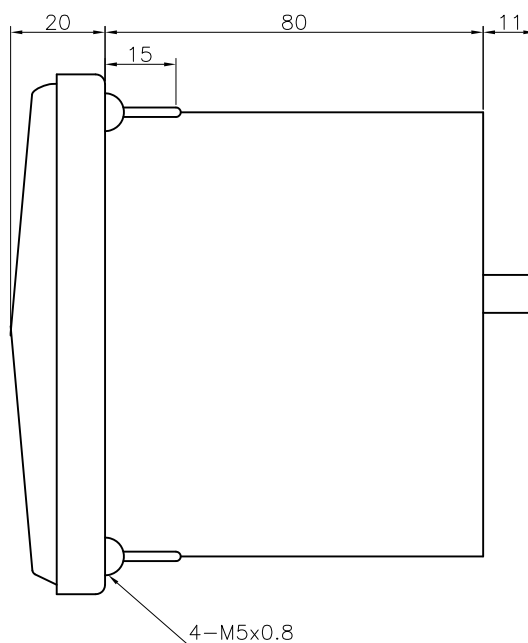
Specification		Applicable Ground Monitor Model
F.S.	Range(MΩ)	
1mA	0 ~ 5	SBAG - 102 / 202 / 402 SBAG - 102A / 202A / 402A ISA690A1 / ISA690A2 / ISA690M1 / ISA690M2
	0 ~ 50	SBAG - 102(R2) / 202(R2) / 402(R2) SBAG - 102A(R2) / 202A(R2) / 402A(R2) ISA690A1(R2) / ISA690A2(R2)
	0 ~ 1000	SBAG - 102M / 202M / 402M ISA690MH1 / ISA690MH2 ISAH6600 - 1 / 2 , ISAH6600M - 1 / 2
250μA	0 ~ 1	ISD24L / ISD48L
	0 ~ 10	ISD125L / ISD250L

DIMENSION (D110A)

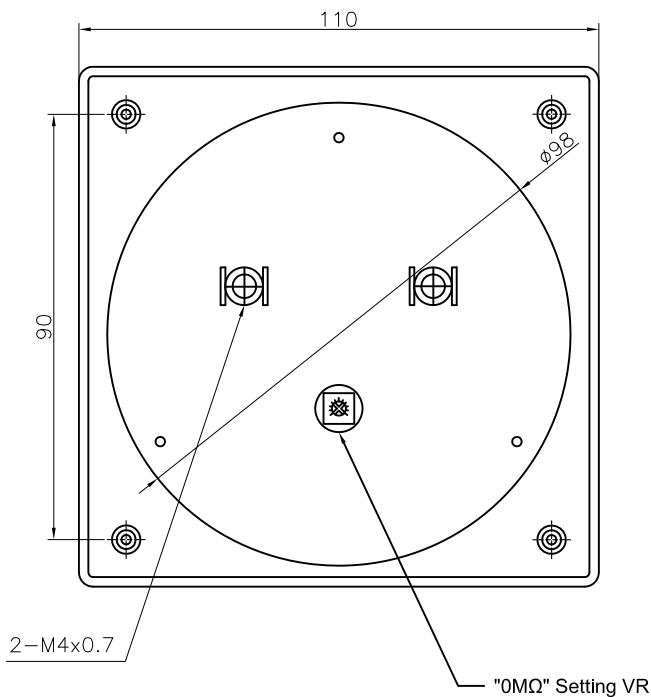
- FRONT VIEW



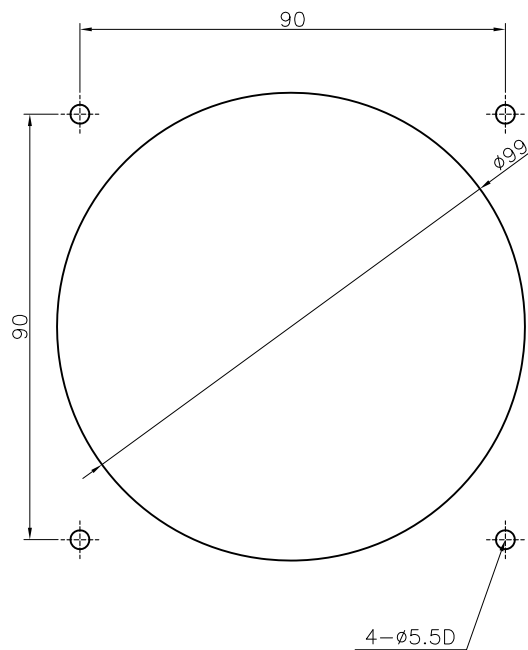
- SIDE VIEW



- REAR VIEW

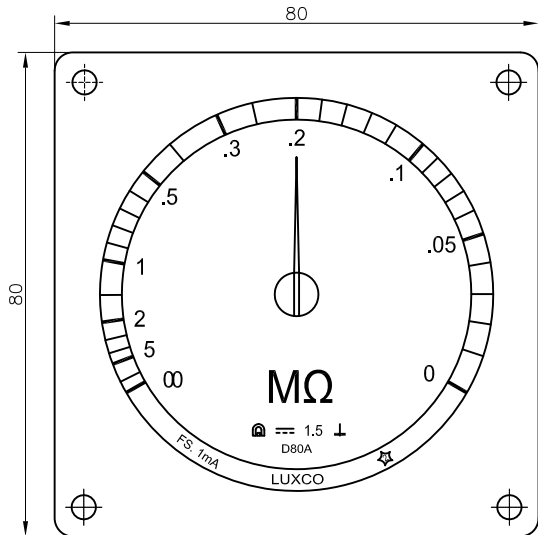


- CUTTING SIZE

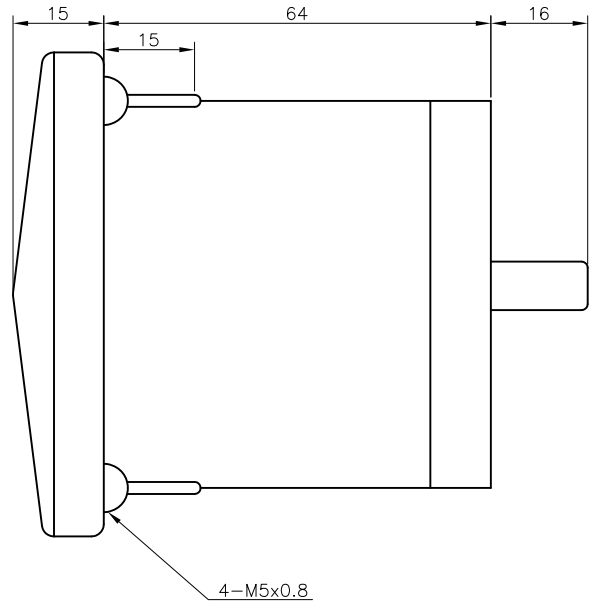


DIMENSION (D80A)

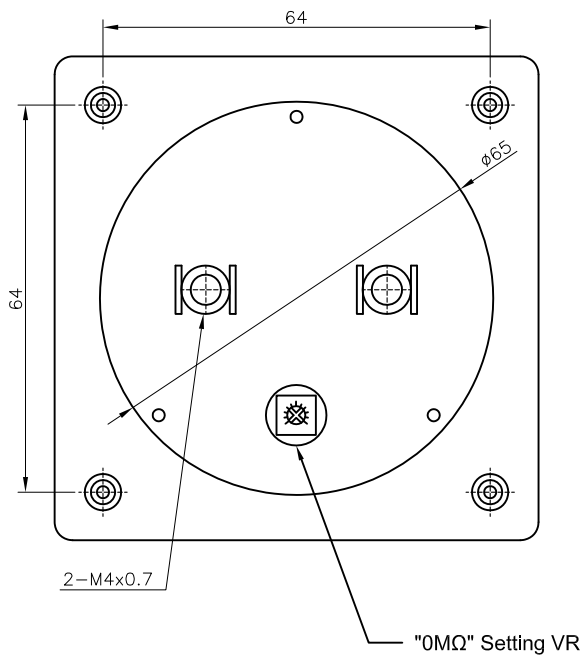
- FRONT VIEW



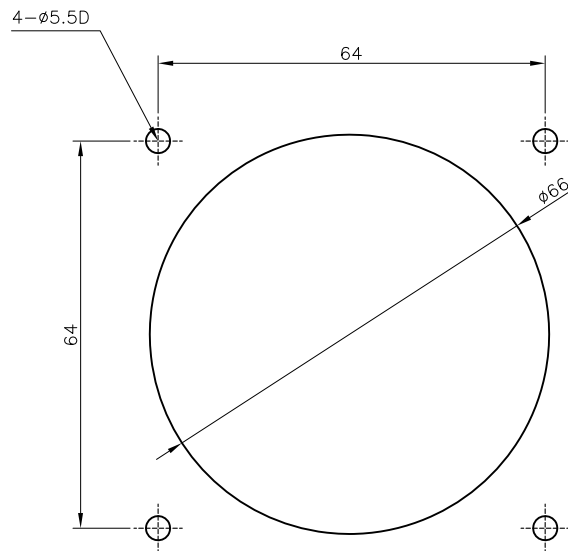
- SIDE VIEW



- REAR VIEW

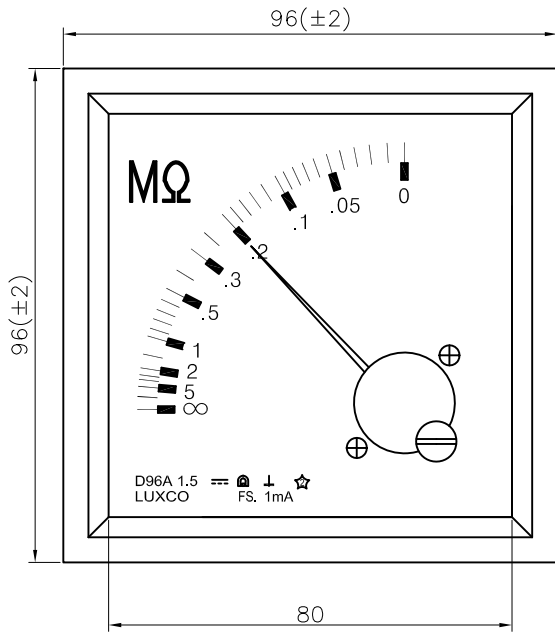


- CUTTING SIZE

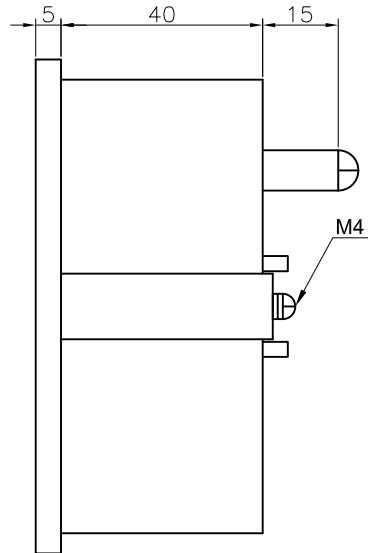


DIMENSION (D96A, D96B)

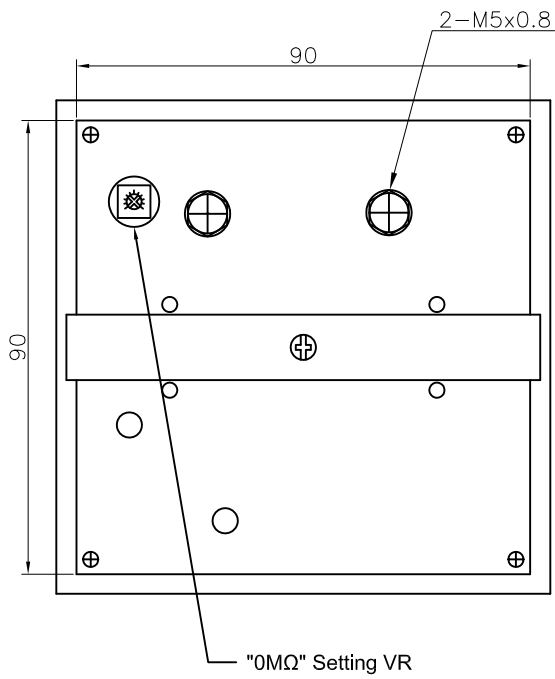
- FRONT VIEW



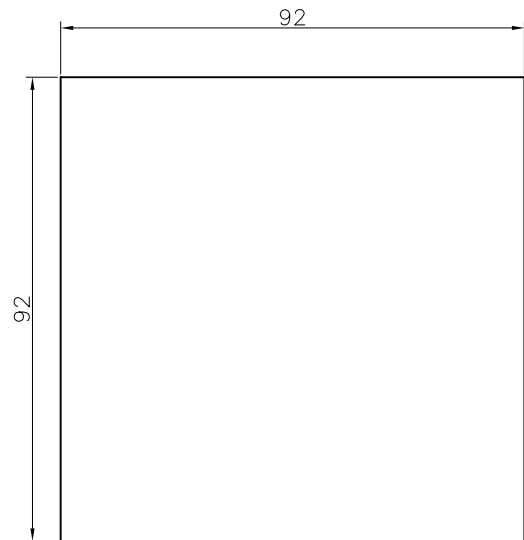
- SIDE VIEW



- REAR VIEW

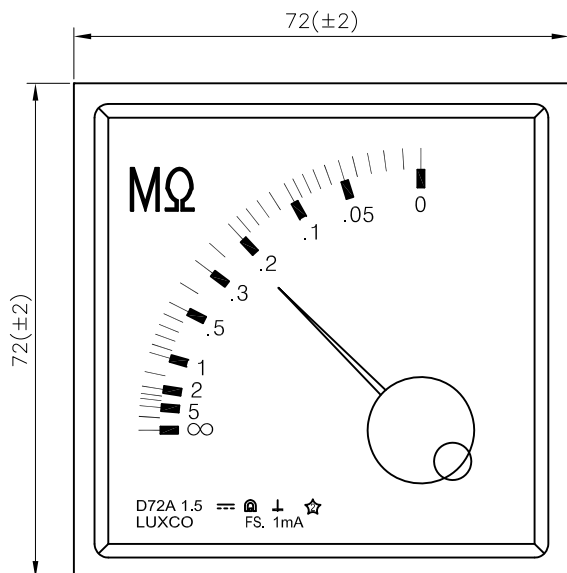


- CUTTING SIZE

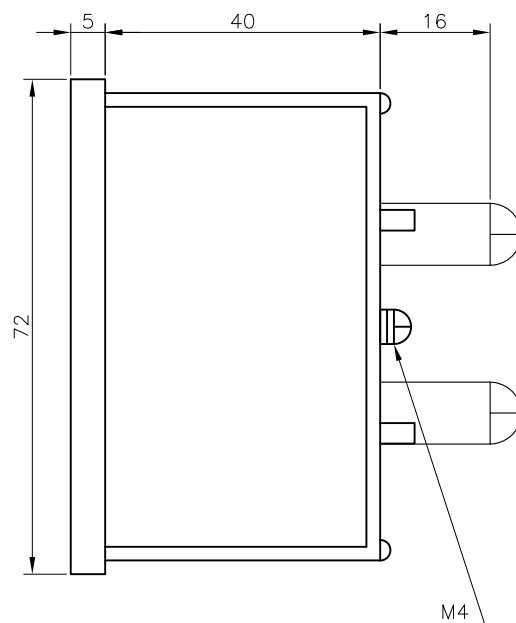


DIMENSION (D72A)

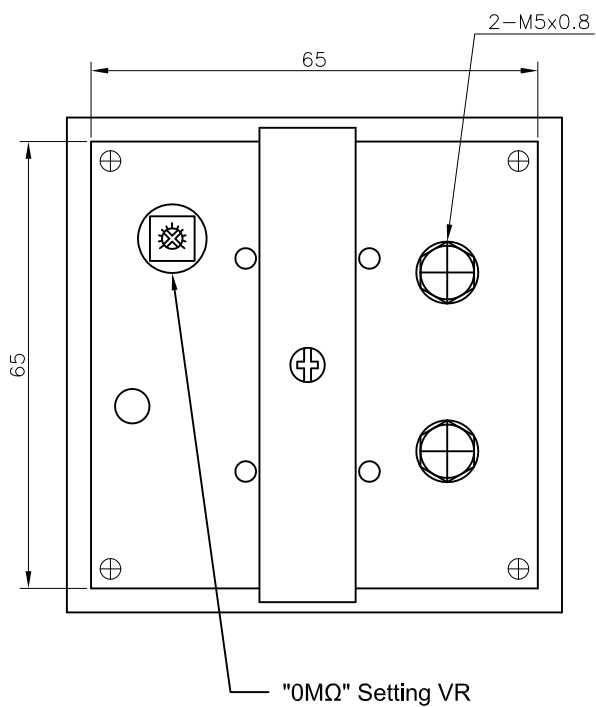
- FRONT VIEW



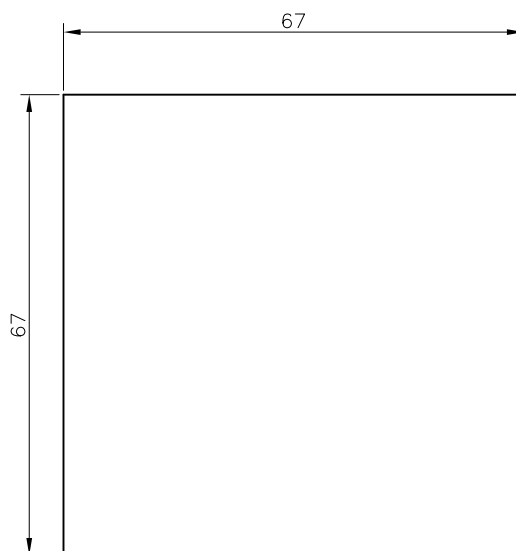
- SIDE VIEW



- REAR VIEW



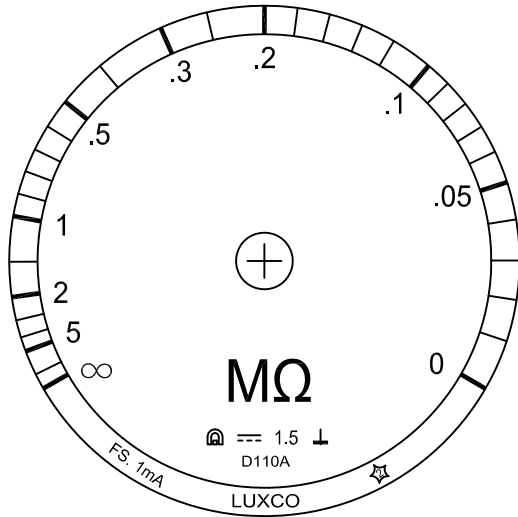
- CUTTING SIZE



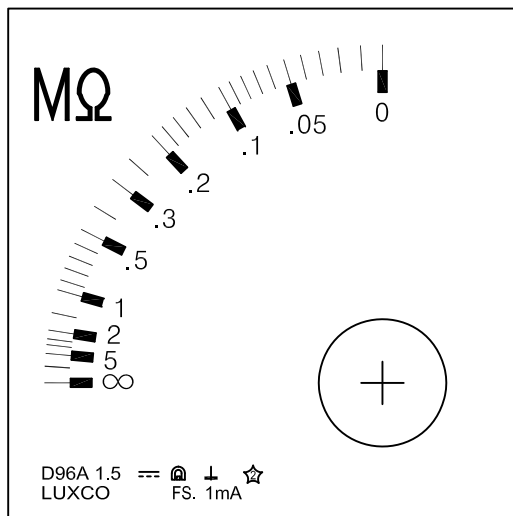
SPECIFICATION (1mA, 0 ~ 5 MΩ)

■ **SCALE**

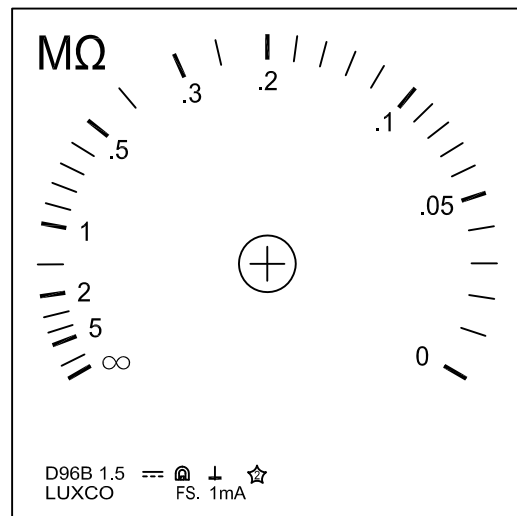
- D110A & D80A



- D96A & D72A



- D96B



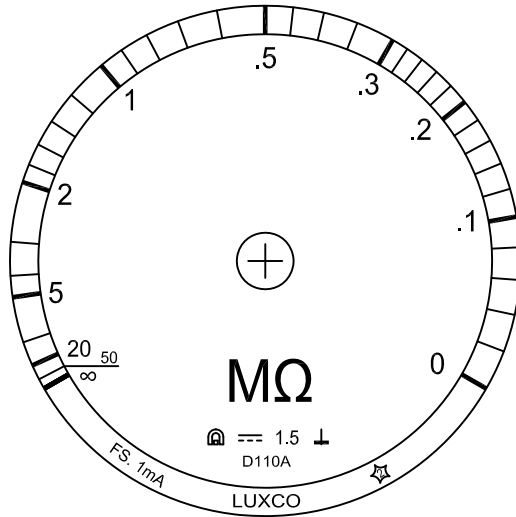
■ **APPLICABLE GROUND MONITOR MODEL**

- SBAG-102 / 202 / 402
- SBAG-102A / 202A / 402A
- ISA690A1 / ISA690A2
- ISA690M1 / ISA690M2

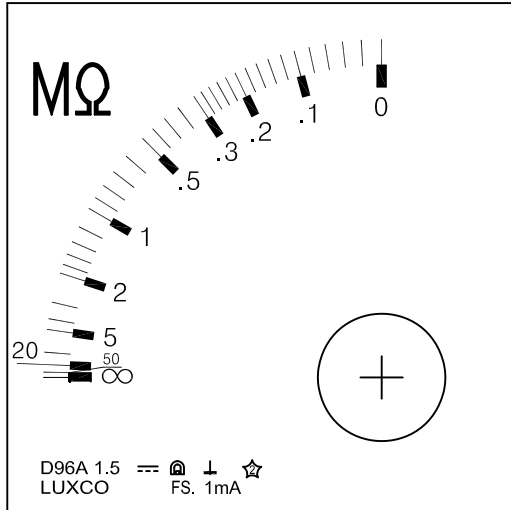
SPECIFICATION (1mA, 0 ~ 50 MΩ)

■ **SCALE**

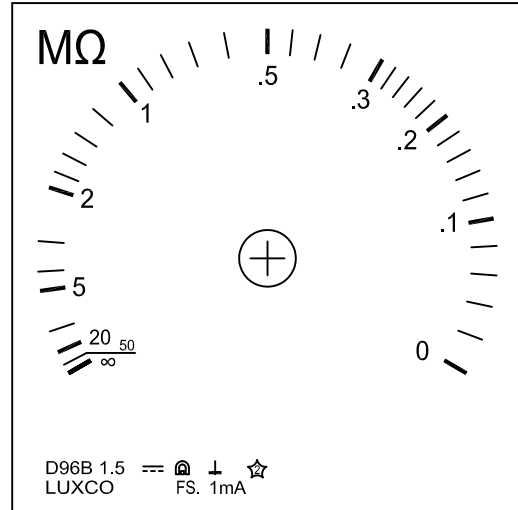
- D110A & D80A



- D96A & D72A



- D96B



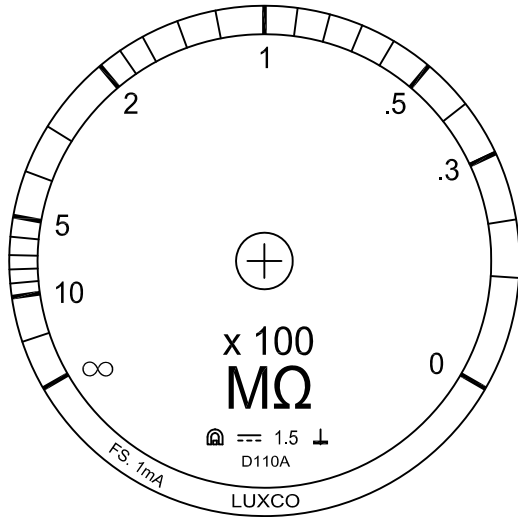
■ **APPLICABLE GROUND MONITOR MODEL**

- SBAG-102(R2) / 202(R2) / 402(R2)
- SBAG-102A(R2) / 202A(R2) / 402A(R2)
- ISA690A1(R2) / ISA690A2(R2)

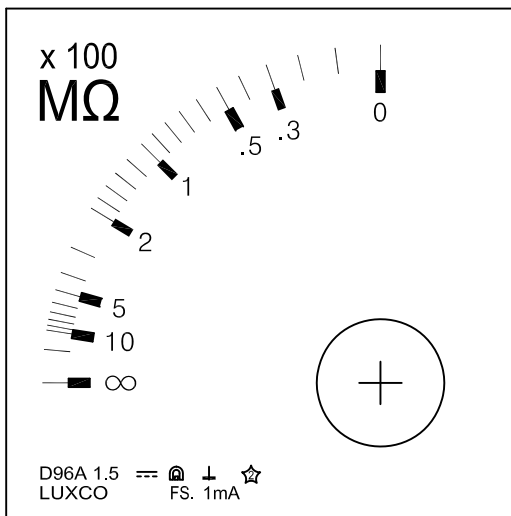
SPECIFICATION (1mA, 0 ~ 1000 MΩ)

■ **SCALE**

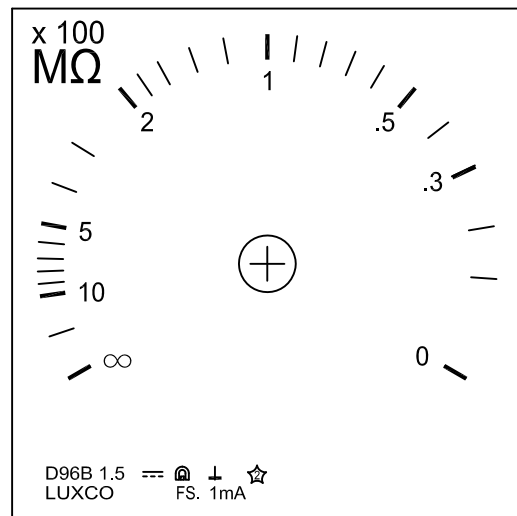
- D110A & D80A



- D96A & D72A



- D96B



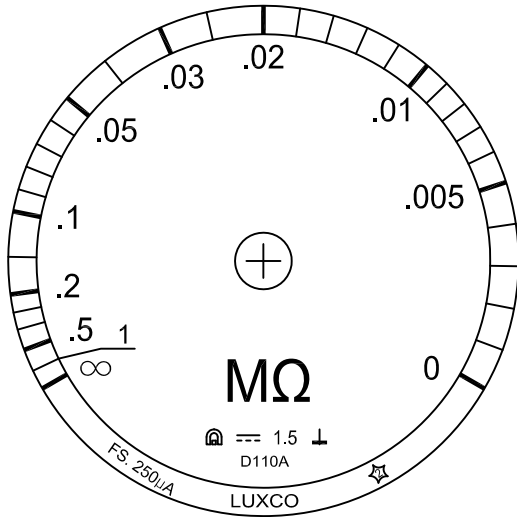
■ **APPLICABLE GROUND MONITOR MODEL**

- SBAG-102M / 202M / 402M
- ISA690MH1 / ISA690MH2
- ISAH6600-1 / 2, ISAH6600M-1 / 2

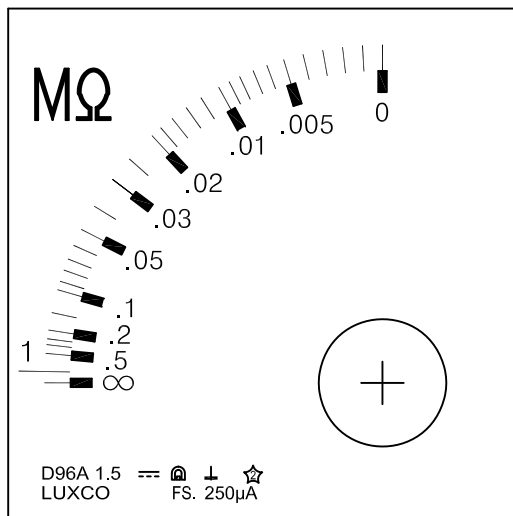
SPECIFICATION (250uA, 0 ~ 1 MΩ)

■ **SCALE**

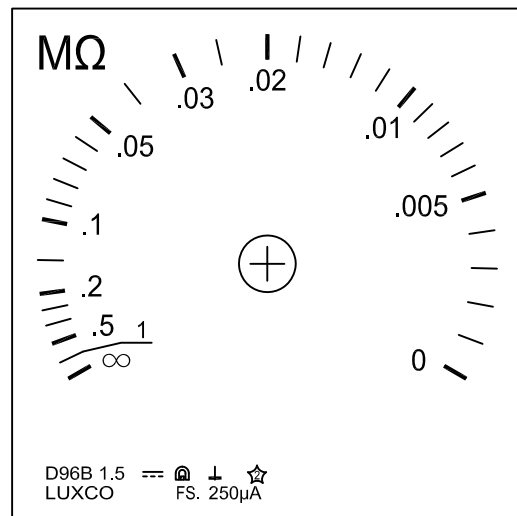
- D110A & D80A



- D96A & D72A



- D96B



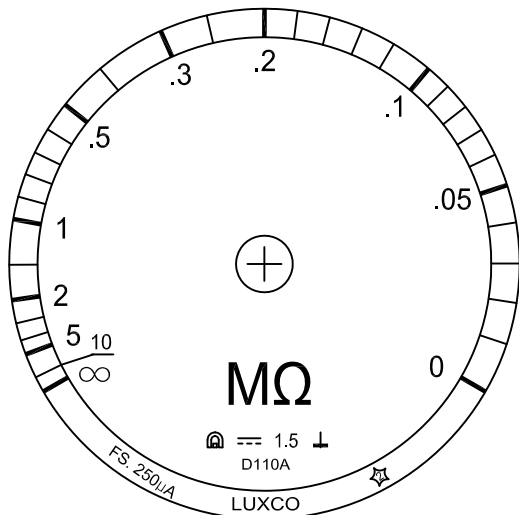
■ **APPLICABLE GROUND MONITOR MODEL**

- ISD24L / ISD48L

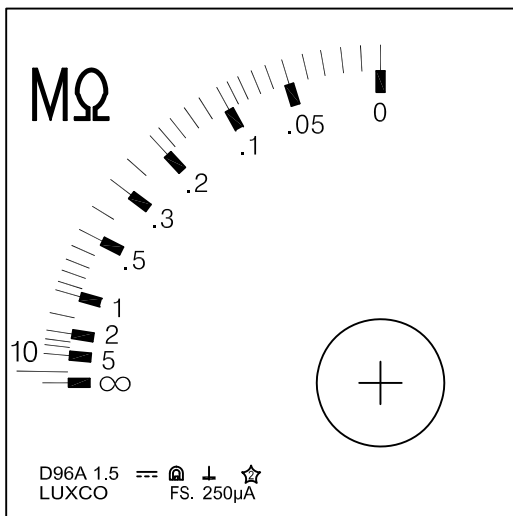
SPECIFICATION (250uA, 0 ~ 10 MΩ)

■ **SCALE**

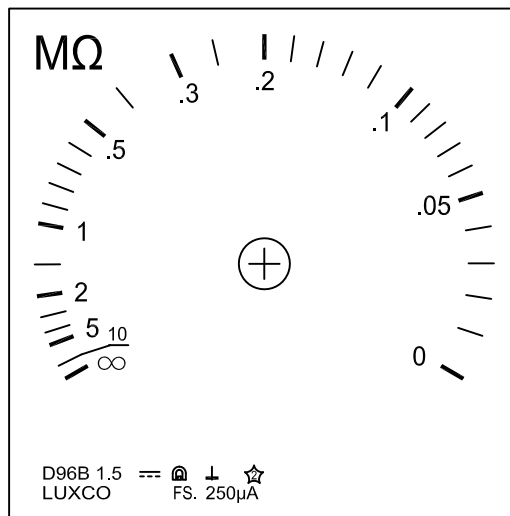
- D110A & D80A



- D96A & D72A



- D96B



■ **APPLICABLE GROUND MONITOR MODEL**

- ISD125L / ISD250L