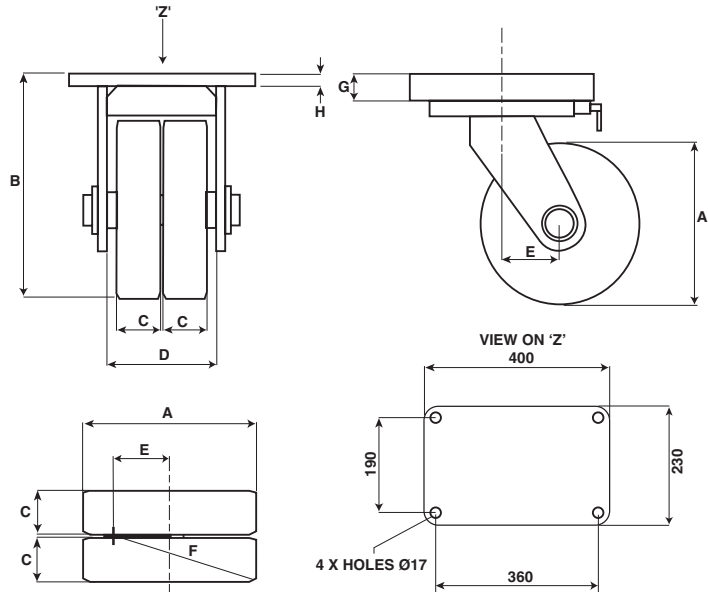


WITH A VARIETY OF WHEEL OPTIONS (SEE TABLE BELOW)



### TWIN WHEEL FIXED

Note: Direct Bond Polyurethane Wheel shown

Top plates have fixing holes to suit 16mm diameter bolts

Swivel top plate thickness 50mm (G)

Fixed top plate thickness 20mm (H)

FOR TECHNICAL INFORMATION COVERING LOAD FACTORS, ETC., SEE 'DESIGN DATA' INDEX ON PAGE 20

HQZ SERIES CASTORS

A	B	C	D	E	F			▽ Swivel		▽ Fixed	
Wheel Diameter	Overall Height	Tread Width	Dim. between Horn Plates	Wheel Centre Off-set	Swivel Radius	Max Load Rating	Wheel Bearing Type	PART NUMBER	Approx Weight kg	PART NUMBER	Approx Weight kg
<b>DIRECT BOND POLYURETHANE TYRED WHEEL</b>											
300	435	100	240	100	270	6200	Tapered Roller	HQZS/H300/100TB	109	HQZF/H300/100TB	71
<b>POLYURETHANE TYRED 'PRESS-ON BAND' WHEEL</b>											
380	515	100	240	125	331	7200	Tapered Roller	HQZS/PH380/100TB	168	HQZF/PH380/100TB	127
<b>STEEL WHEEL</b>											
200	385	90	110	100	205	7300	Tapered Roller	HQZS/SFT200/90TB	95	HQZF/SFT200/90TB	57

Note: Steel wheel is a single wheel

Directional locks are standard on HQZS series castors.

NOTE: Also available with other wheel types.