

Free flow nose to side check valve

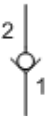
Capacity:
20 gpm (80 L/min.)

Functional Group:
Products : Cartridges : Check : 2-Port : Free Flow Nose to Side

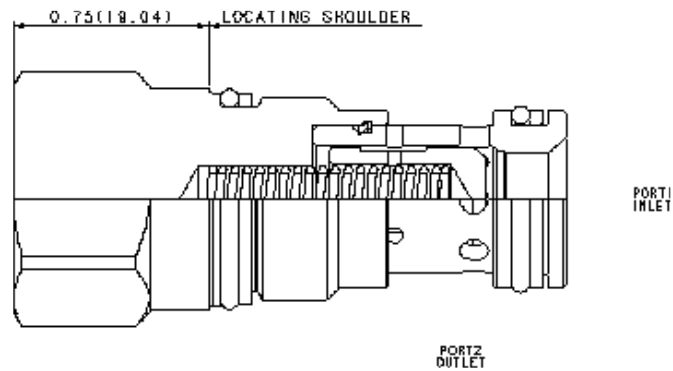
Model:
CXDA-XCN

Product Description

Free-flow, nose-to-side check valves are on/off circuit components that allow free flow from the inlet (port 1) to the outlet (port 2) and block flow in the opposite direction.



[Download](#)

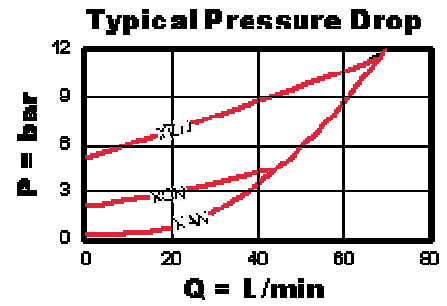
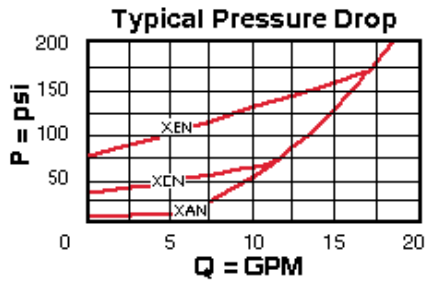


Technical Features

- Two-port check valves share the same cavity for a given frame size, however, pay close attention as flow paths may be in opposite directions.
- Check valves offer extremely low leakage rates with a maximum leakage of less than 1 drop per minute (0,07 cc/min).
- Will accept 5000 psi (350 bar) at ports 1 and 2.
- Corrosion resistant cartridge valves are intended for use in corrosive environments and are identified by the model code suffix /AP (see Option Selection below). External parts are made from stainless steel with titanium or brass components, where applicable. Internal parts are made from carbon steel leaded alloy, the same as standard valves. For further details, please see the Materials of Construction page.
- Incorporates the Sun floating style construction to minimize the possibility of internal parts binding due to excessive installation torque and/or cavity/cartridge machining variations.

Technical Data

	U.S. Units	Metric Units
Cavity	T-13A	
Capacity	20 gpm	80 L/min.
Maximum Operating Pressure	5000 psi	350 bar
Maximum Valve Leakage at 110 SUS (24 cSt)	1 drops/min.	0,07 cc/min.
Series (from Cavity)	Series 1	
Valve Hex Size	7/8 in.	22,2 mm
Valve Installation Torque	30 - 35 lbf ft	40 - 50 Nm
Seal Kits - Cartridge	Buna: 990-010-007	
Seal Kits - Cartridge	Viton: 990-010-006	
Model Weight	0.24 lb.	0.11 kg.



CXDA-XCN

Control

X Not Adjustable

Cracking Pressure

C 30 psi (2 bar)

Seal Material

N Buna-N

Material/Coating Modifier

/AP Stainless Steel, Passivated

Control:X

/LH Mild Steel, Zinc-Nickel

Control:X

Our corrosion resistant product line is growing! If you are interested in a corrosion resistant option for this model, please contact Sun.

K Handknob

+14.00

G 150 psi (10,5 bar)

+7.00

L Manual Override

+8.00

Z 1 psi (0,07 bar)

+4.00

If the modifier is /AP, the control must be X

If the modifier is /LH, the control must be X