



ST. CHARLES, IL USA

DATA SHEET FOR

600.130.56.AC

DATA SHEET NO.

DS-600.130.56.AC

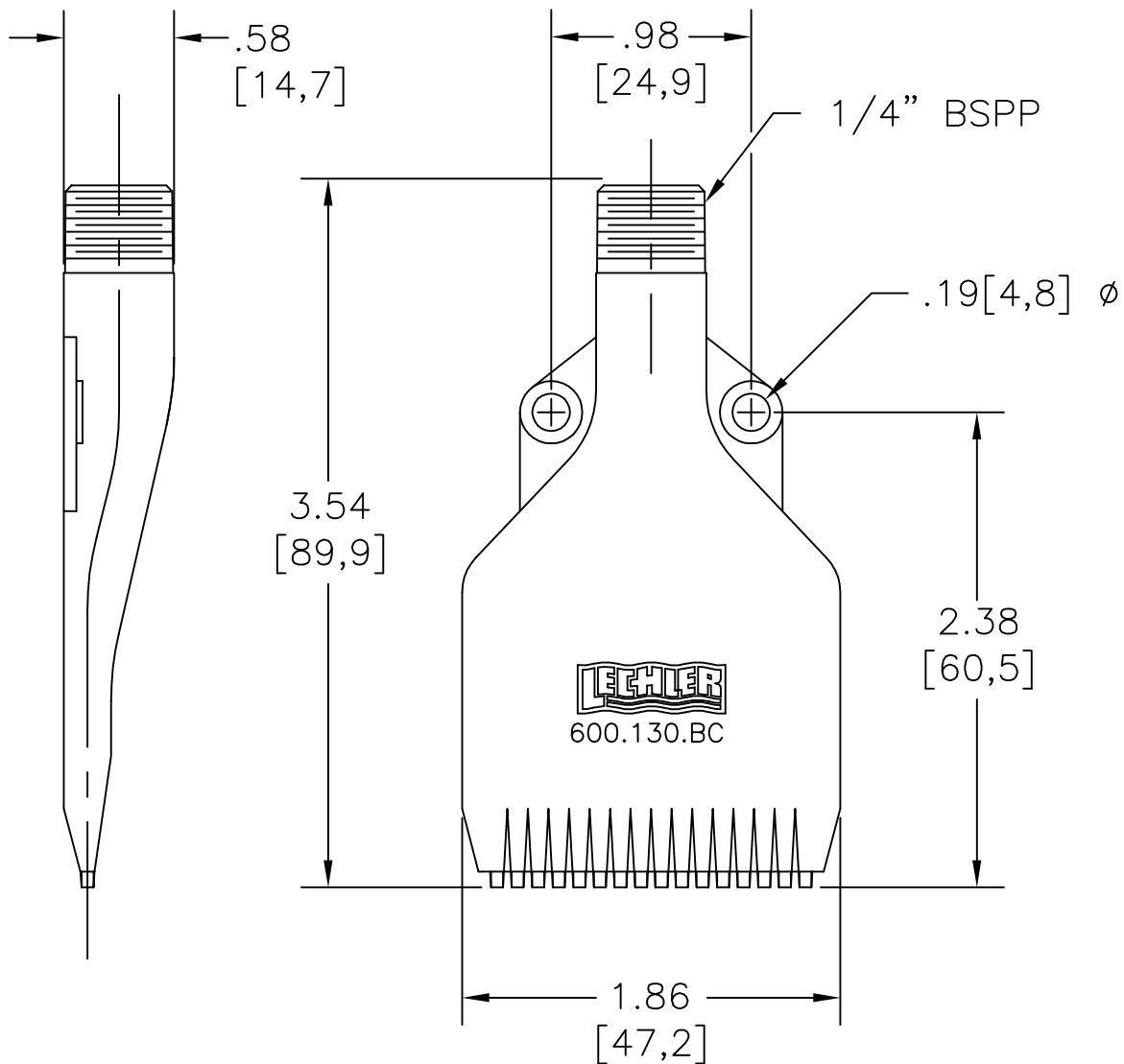
DATE 2-10-03 RPG

REV. -

MATERIAL: ACETAL HOMOPOLYMER

WHISPERBLAST NOZZLE

NOMINAL AIR FLOW RATE: 12.4 SCFM @ 45 PSIG



ALL DIMENSIONS ARE IN INCHES [MM]