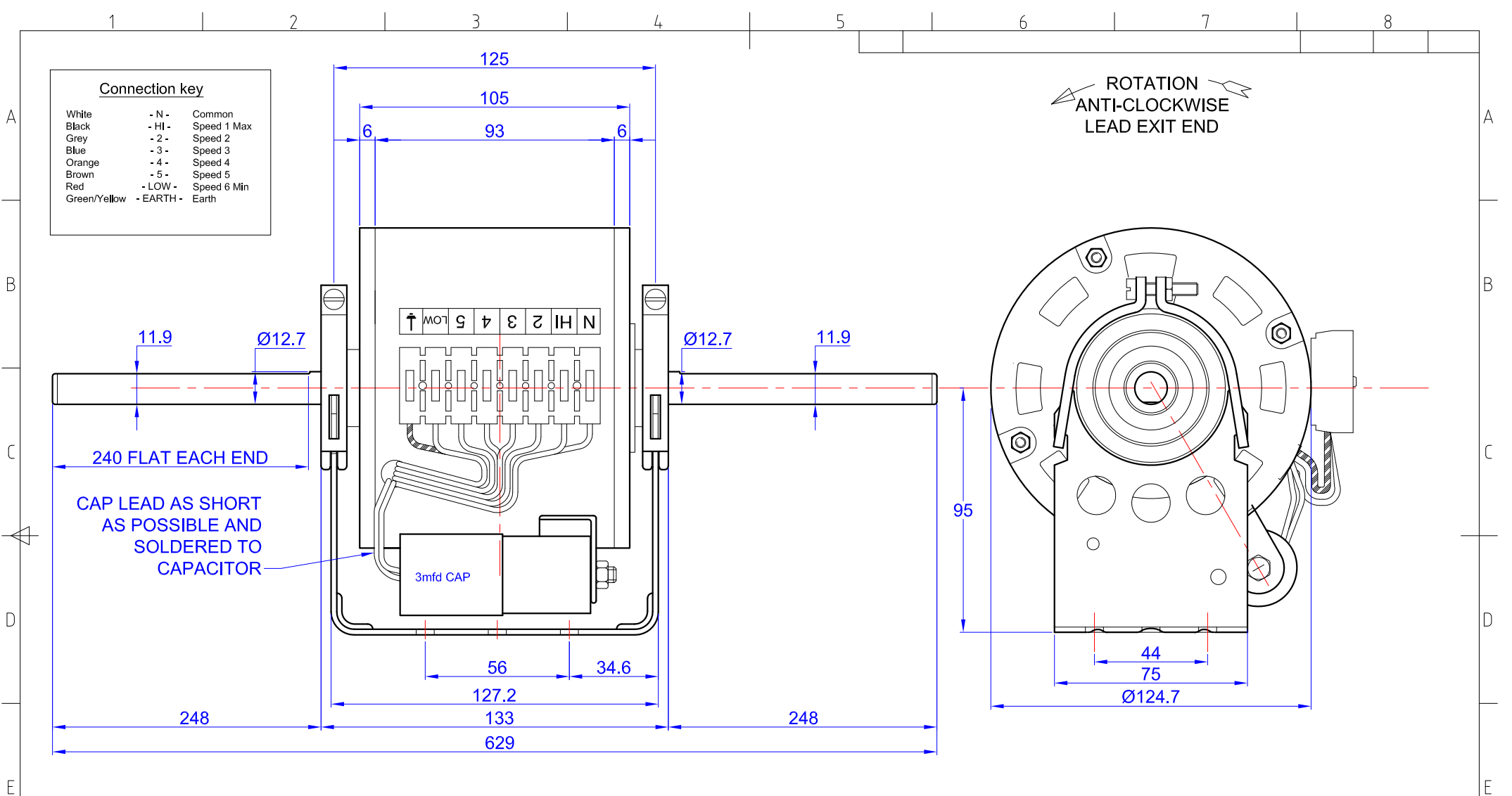


**Connection key**

White	- N -	Common
Black	- HI -	Speed 1 Max
Grey	- 2 -	Speed 2
Blue	- 3 -	Speed 3
Orange	- 4 -	Speed 4
Brown	- 5 -	Speed 5
Red	- LOW -	Speed 6 Min
Green/Yellow	- EARTH -	Earth



ENCLOSURE - TOTALLY ENCLOSED  
BEARINGS - BALL  
PROTECTION - AUTOMATIC

REMCO

Model No. 48-4-90/6DSL  
240V - 50Hz - 1300rpm  
0.75A - 90W - 3mfd 400V  
THERMALLY PROTECTED

REVISIONS:  
2: 23.07.04 ENDSHIELD DIMS CHANGED  
3: 27.07.04 CAP LEADS NOTE ADDED & MOTOR  
DIRECTION ARROW CORRECTED

J.SOMERVILLE DRW BY	CHECKED BY	APPROVED BY	48-4-90-6dsl.dwg FILENAME	27-02-2004 DATE	DO NOT SCALE
			48-4-90/6DSL		
REMCO PRODUCTS LIMITED					3.0 ISSUE
					1 / 1 SHEET

NAMEPLATE DETAILS