

内容

下記物品の見積もりをお願い致します。

メーカー: BONGSHIN LOADCELL  
 品名: Compression & Tension Low Profile Load Cell  
 型式: DSCS-1 t  
 容量: 1000kg  
 数量: 1個

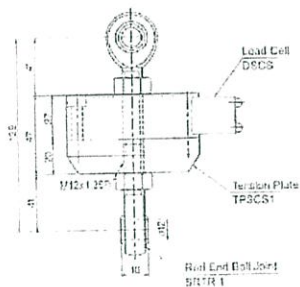
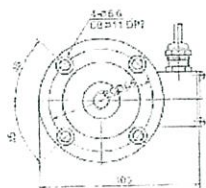
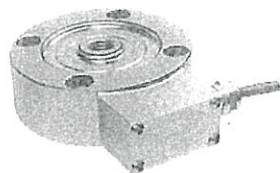
ロ-ドセル

BONGSHIN®

**Model DSCS Series**  
 Compression & Tension  
 Low Profile Load Cell (200 - 1000kg)

The model DSCS is a low profile compression & tension pancake type load cell. All units are machined from a solid billet of stainless steel and sealed with welded diaphragms.

- 17-4PH Stainless steel construction for high accuracy and corrosion resistance
- Hermetically sealed
- High rated output(3mV/V)



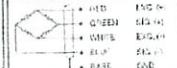
**SPECIFICATIONS**

MODEL	DSCS
Rated capacity (R.C.)	200, 500, 1000kg
Rated output (R.O.)	3.0mV/V ± 0.3%
Non-linearity	± 0.05% R.O.
Hysteresis	± 0.03% R.O.
Repeatability	± 0.03% R.O.
Creep error	± 0.05% in 20min.
Zero balance	± 1% R.O.
Compensated temperature range	-10 ~ 70°C
Operating temperature range	20 ~ 80°C
Temp. effect on rated output	± 0.03% LOAD/10°C
Temp. effect on zero balance	± 0.03% R.O./10°C
Terminal input resistance	750 Ohms ± 10 Ohms
Terminal output resistance	700 Ohms ± 10 Ohms
Insulation resistance (at r.t.)	2000 MOhms at 50V D.C.
Excitation voltage	3-12V (Recommended: 15V Max.)
Electrical connection	Ø2mmØ12ZAW5 x 4Core SMTA153
Protection class	meets IP 68
Safe overload	150% R.C.
Ultimate overload	300% R.C.

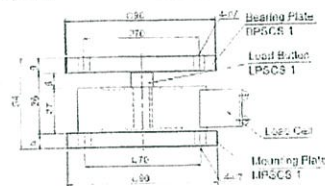
**ORDERING INFORMATION**

DSCS - 200  
 Capacity 200, 500, 1000kg

**WIRING INFORMATION**



Weight: 294g



Specifications are subject to change without notice

BONGSHIN LOADCELL CO., LTD.

1-1, Baobu 1st, Gang 1st Complex, Duan 1st, Kwang 1st 16110  
 TEL: 82-31-742-8821 www.bongshin.com  
 FAX: 82-31-742-8841 E-mail: bsh@bongshin.com

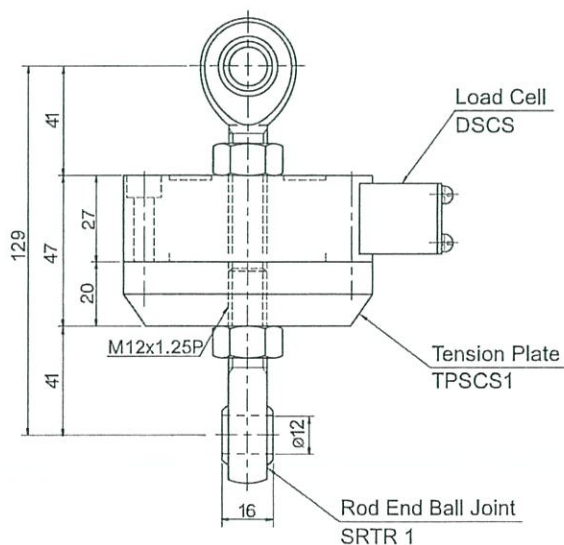
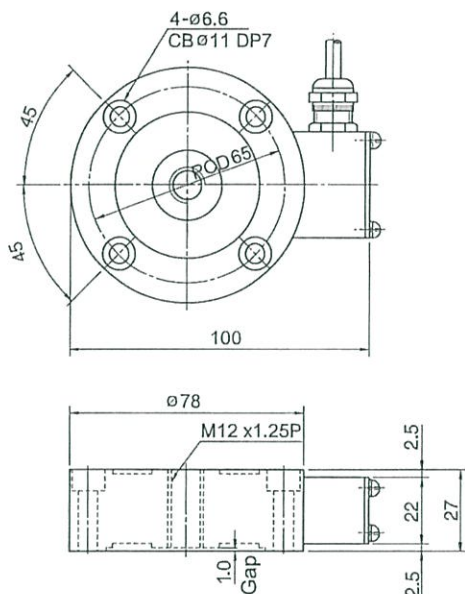
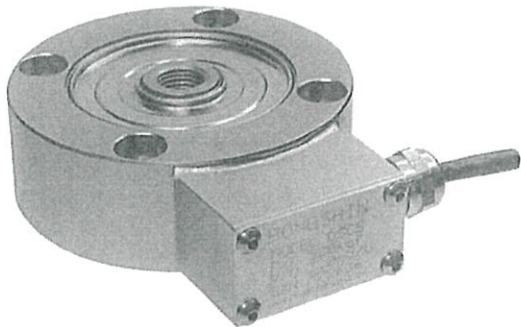
D-トセル

3/3 15-21

**BONGSHIN®**

## Model DSCS Series

Compression & Tension  
Low Profile Load Cell (200 ~ 1000kg)



The model DSCS is a low profile compression & tension pancake type load cell. All units are machined from a solid billet of stainless steel and sealed with welded diaphragms.

- 17-4PH Stainless steel construction for high accuracy and corrosion resistance
- Hermetically sealed
- High rated output(3mV/V)

### SPECIFICATIONS

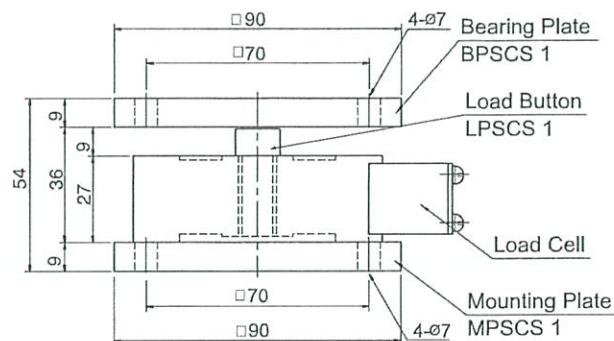
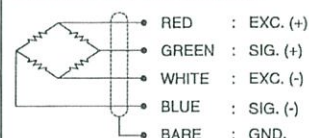
MODEL	DSCS
Rated capacity (R.C.)	200, 500, 1000kg
Rated output(R.O.)	3.0mV/V ± 0.3%
Non-linearity	≤ 0.05% R.O.
Hysteresis	≤ 0.03% R.O.
Non-repeatability	≤ 0.03% R.O.
Creep error	≤ 0.05% in 20min.
Zero balance	≤ 1% R.O.
Compensated temperature range	-10 ~ 70°C
Operating temperature range	-20 ~ 80°C
Temp. effect on rated output	≤ 0.03% LOAD/10°C
Temp. effect on zero balance	≤ 0.03% R.O./10°C
Terminal input resistance	700 Ohms ± 10 Ohms
Terminal output resistance	700 Ohms ± 10 Ohms
Insulation resistance (Min.)	2000 MOhms at 50V DC
Excitation voltage	3~12V(Recommended), 15V(Max.)
Electrical connection	ø5mmx3m(22AWG x 4Core Shielded)
Protection class	meets IP 68
Safe overload	150% R.C
Ultimate overload	300% R.C

### ORDERING INFORMATION

**DSCS - 200**  
MODEL DSCS      CAPACITY 200, 500, 1000kg

Weight = 0.9kg

### WIRING INFORMATION



\* Specifications are subject to change without notice

APR, 2018

BONGSHIN LOADCELL CO., LTD.

55, Seobuk-ro, Gajang Ind. Complex, Osan-si, Korea / 18103  
TEL : 82-31-742-6661      www.bongshin.com  
FAX : 82-31-742-6664      E-mail : loadcell@bongshin.com