

Offer # : 8515
Item # : 1
Tag # : SV-85
Quantity : 1

Type 035 D

2 " / 2 " - 300 lbs

Jacketed Metal seated piston valve, M seal. VP Series.

Class ANSI 300 lbs
Body A105, Jacket A105
Plunger Material 316 L

Extended Body

According Drawing N° 030D1101

Sealing System :

Seat Type " M Seal @ ", Stellite/Stellite
Live Loaded Bolted packing
Packing Graphite

Application :

Service : RAM VALVE
Process : SAIPEM
Fluid : slurry HC

Design Conditions :

Pressure : 29 bars / 415 psi
Temperature : 280° C / 536° F

Actuation :

Carbon Steel Handwheel STRAHMAN VALVES FRANCE
The valve actuator is sized to operate against a working pressure of 29 bar / 420 psi

Connections :

Body Flange 2 " 300 lbs
Extention Diameter 48,7 mm/1,95 Inche(s) ,Extention 310,5 mm/12,25 Inche(s)
Branch Angle 45°
Branch Flange, 2 " 300 lbs
2x SW flange 3/4" 600lbs RF jackect connections

Included Options :

1 x NPS2 PORT HAS 1 1/2" 300 LBS NON JACKETED DRAIN VALVE (Manual)
1 x PACKING ARRANGEMENT IS TUV APPROVED
1 x Flange finish RF = 125-250 µm
1 x MATERIAL AND TEST CERTIFICATES
1 x VALVE ACCORDING TO PED 97/23-EC

Remarks :

JACKET CONDITIONS 25 Barg @280°C MAX.
100% X-RAY ON ALL BUTT WELDS,
ALL OTHER WELDS HAVE 100% DYPENETRANT
CONSTRUCTION TO ASME B16.34
DRAIN VALVE BOLTED TO MAIN VALVE BODY.
VALVE SPEC. SPC.00-SN-E-69170

Quality Control Testing :

Weld tests: 100% X-rays on all butt welds

Tests: Hydrostatic
(API 598 / B 16.5)

Quantity : 1

Offer # : 8515
Item # : 2
Tag # : SV-100
Quantity : 1

Type 030 D

2 " / 2 " - 600 lbs

Jacketed Metal seated piston valve, M seal. VP Series.

Class ANSI 600 lbs
Body A105, Jacket A105
Plunger Material 316 L

Extended Body

According Drawing N° 030D1099

Sealing System :

Seat Type " M Seal ® ", Stellite/Stellite
Live Loaded Bolted packing
Packing Graphite

Actuation :

Carbon Steel Handwheel STRAHMAN VALVES FRANCE
The valve actuator is sized to operate against a working pressure of 38 bar / 550 psi

Connections :

Body Flange 2 " 600 lbs
Extention Diameter 48,7 mm/1,95 Inche(s) ,Extention 310,5 mm/12,25 Inche(s)
Branch Angle 60°
Branch Flange, 2 " 600 lbs
2x SW flange 3/4" 600lbs RF jackect connections

Included Options :

1 x NPS2 PORT HAS 1 1/2" 600 LBS NON JACKETED DRAIN VALVE (Manual)
1 x PACKING ARRANGEMENT IS TUV APPROVED
1 x Flange finish RF = 125-250 µm
1 x MATERIAL AND TEST CERTIFICATES
1 x VALVE ACCORDING TO PED 97/23-EC

Remarks :

JACKET CONDITIONS 25 Barg @ 365°C MAX.
100% X-RAY ON ALL BUTT WELDS,
ALL OTHER WELDS HAVE 100% DYPENETRANT
CONSTRUCTION TO ASME B16.34
DRAIN VALVE BOLTED TO MAIN VALVE BODY.
VALVE SPEC. SPC.00-SN-E-69170

Application :

Service : RAM VALVE
Process : SAIPEM
Fluid : slurry HC

Design Conditions :

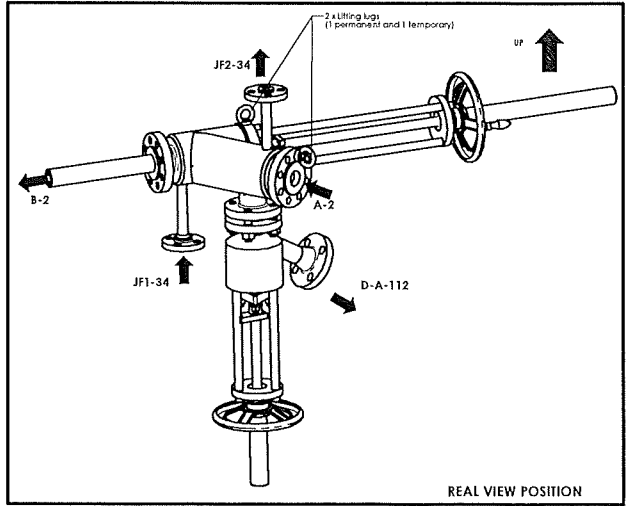
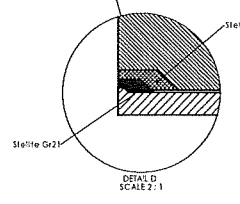
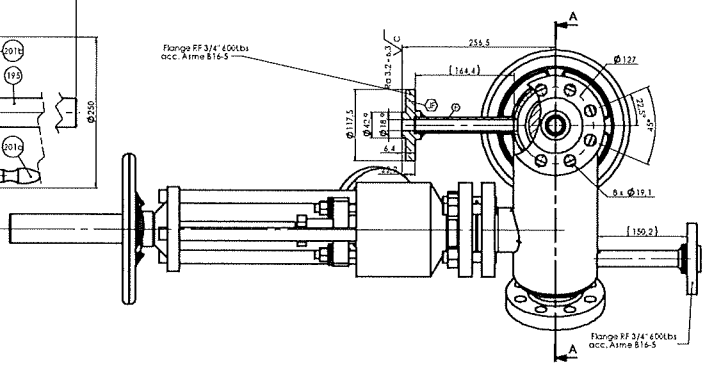
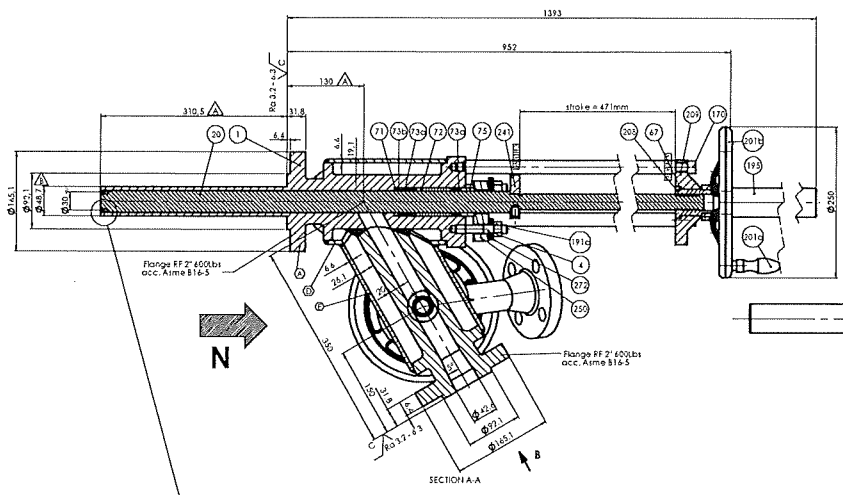
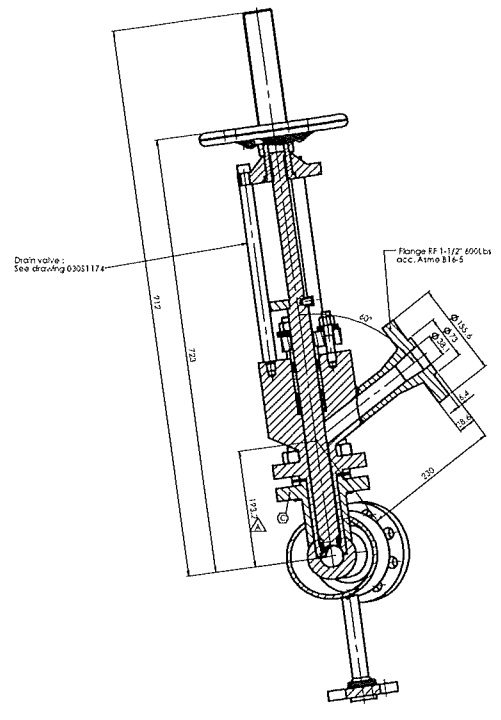
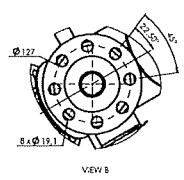
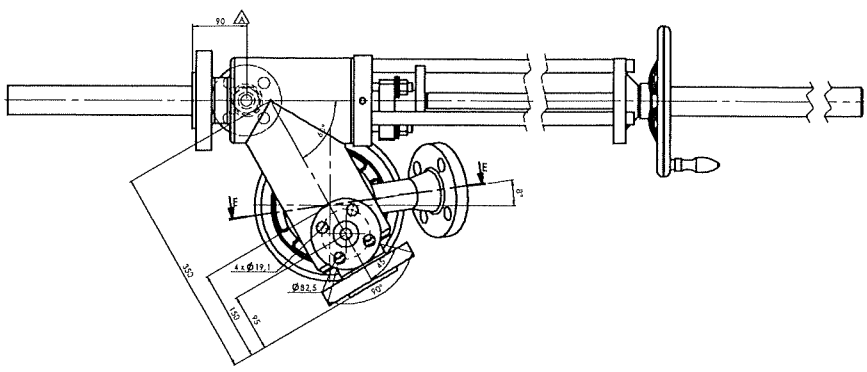
Pressure : 38 bars / 543 psi
Temperature : 280° C / 536° F

Quality Control Testing :

Weld tests: 100% X-rays on all butt welds

Tests: Hydrostatic
(API 598 / B 16.5)

Quantity : 1



NOTA:
 1. I materiali sono da scegliere in base alle condizioni di servizio.
 2. I materiali sono da scegliere in base alle condizioni di servizio.

NO.	QTY	DESCRIPTION	UNIT	REVISION
1	1	VALVE BODY	1	1
2	1	VALVE PLATE	1	1
3	1	VALVE PLATE GASKET	1	1
4	1	VALVE PLATE NUT	1	1
5	1	VALVE PLATE WASHER	1	1
6	1	VALVE PLATE PIN	1	1
7	1	VALVE PLATE PIN WASHER	1	1
8	1	VALVE PLATE PIN NUT	1	1
9	1	VALVE PLATE PIN WASHER	1	1
10	1	VALVE PLATE PIN NUT	1	1
11	1	VALVE PLATE PIN WASHER	1	1
12	1	VALVE PLATE PIN NUT	1	1
13	1	VALVE PLATE PIN WASHER	1	1
14	1	VALVE PLATE PIN NUT	1	1
15	1	VALVE PLATE PIN WASHER	1	1
16	1	VALVE PLATE PIN NUT	1	1
17	1	VALVE PLATE PIN WASHER	1	1
18	1	VALVE PLATE PIN NUT	1	1
19	1	VALVE PLATE PIN WASHER	1	1
20	1	VALVE PLATE PIN NUT	1	1
21	1	VALVE PLATE PIN WASHER	1	1
22	1	VALVE PLATE PIN NUT	1	1
23	1	VALVE PLATE PIN WASHER	1	1
24	1	VALVE PLATE PIN NUT	1	1
25	1	VALVE PLATE PIN WASHER	1	1
26	1	VALVE PLATE PIN NUT	1	1
27	1	VALVE PLATE PIN WASHER	1	1
28	1	VALVE PLATE PIN NUT	1	1
29	1	VALVE PLATE PIN WASHER	1	1
30	1	VALVE PLATE PIN NUT	1	1
31	1	VALVE PLATE PIN WASHER	1	1
32	1	VALVE PLATE PIN NUT	1	1
33	1	VALVE PLATE PIN WASHER	1	1
34	1	VALVE PLATE PIN NUT	1	1
35	1	VALVE PLATE PIN WASHER	1	1
36	1	VALVE PLATE PIN NUT	1	1
37	1	VALVE PLATE PIN WASHER	1	1
38	1	VALVE PLATE PIN NUT	1	1
39	1	VALVE PLATE PIN WASHER	1	1
40	1	VALVE PLATE PIN NUT	1	1
41	1	VALVE PLATE PIN WASHER	1	1
42	1	VALVE PLATE PIN NUT	1	1
43	1	VALVE PLATE PIN WASHER	1	1
44	1	VALVE PLATE PIN NUT	1	1
45	1	VALVE PLATE PIN WASHER	1	1
46	1	VALVE PLATE PIN NUT	1	1
47	1	VALVE PLATE PIN WASHER	1	1
48	1	VALVE PLATE PIN NUT	1	1
49	1	VALVE PLATE PIN WASHER	1	1
50	1	VALVE PLATE PIN NUT	1	1
51	1	VALVE PLATE PIN WASHER	1	1
52	1	VALVE PLATE PIN NUT	1	1
53	1	VALVE PLATE PIN WASHER	1	1
54	1	VALVE PLATE PIN NUT	1	1
55	1	VALVE PLATE PIN WASHER	1	1
56	1	VALVE PLATE PIN NUT	1	1
57	1	VALVE PLATE PIN WASHER	1	1
58	1	VALVE PLATE PIN NUT	1	1
59	1	VALVE PLATE PIN WASHER	1	1
60	1	VALVE PLATE PIN NUT	1	1
61	1	VALVE PLATE PIN WASHER	1	1
62	1	VALVE PLATE PIN NUT	1	1
63	1	VALVE PLATE PIN WASHER	1	1
64	1	VALVE PLATE PIN NUT	1	1
65	1	VALVE PLATE PIN WASHER	1	1
66	1	VALVE PLATE PIN NUT	1	1
67	1	VALVE PLATE PIN WASHER	1	1
68	1	VALVE PLATE PIN NUT	1	1
69	1	VALVE PLATE PIN WASHER	1	1
70	1	VALVE PLATE PIN NUT	1	1
71	1	VALVE PLATE PIN WASHER	1	1
72	1	VALVE PLATE PIN NUT	1	1
73	1	VALVE PLATE PIN WASHER	1	1
74	1	VALVE PLATE PIN NUT	1	1
75	1	VALVE PLATE PIN WASHER	1	1
76	1	VALVE PLATE PIN NUT	1	1
77	1	VALVE PLATE PIN WASHER	1	1
78	1	VALVE PLATE PIN NUT	1	1
79	1	VALVE PLATE PIN WASHER	1	1
80	1	VALVE PLATE PIN NUT	1	1
81	1	VALVE PLATE PIN WASHER	1	1
82	1	VALVE PLATE PIN NUT	1	1
83	1	VALVE PLATE PIN WASHER	1	1
84	1	VALVE PLATE PIN NUT	1	1
85	1	VALVE PLATE PIN WASHER	1	1
86	1	VALVE PLATE PIN NUT	1	1
87	1	VALVE PLATE PIN WASHER	1	1
88	1	VALVE PLATE PIN NUT	1	1
89	1	VALVE PLATE PIN WASHER	1	1
90	1	VALVE PLATE PIN NUT	1	1
91	1	VALVE PLATE PIN WASHER	1	1
92	1	VALVE PLATE PIN NUT	1	1
93	1	VALVE PLATE PIN WASHER	1	1
94	1	VALVE PLATE PIN NUT	1	1
95	1	VALVE PLATE PIN WASHER	1	1
96	1	VALVE PLATE PIN NUT	1	1
97	1	VALVE PLATE PIN WASHER	1	1
98	1	VALVE PLATE PIN NUT	1	1
99	1	VALVE PLATE PIN WASHER	1	1
100	1	VALVE PLATE PIN NUT	1	1

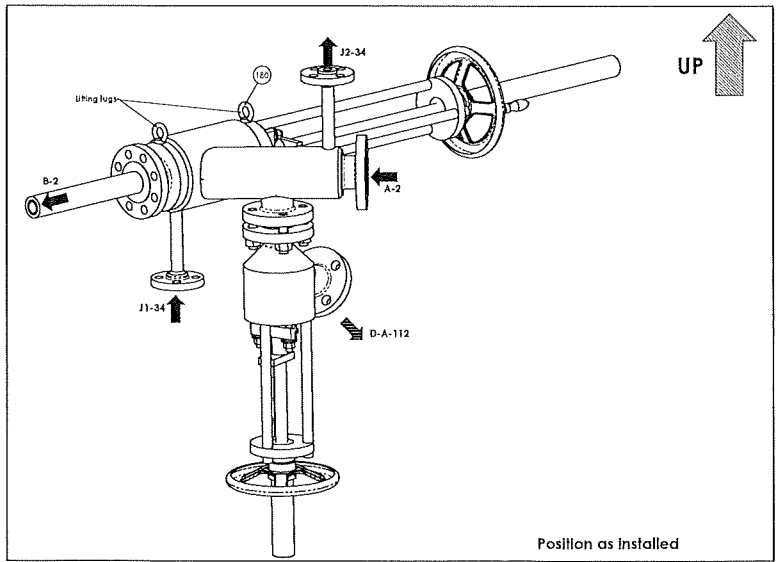
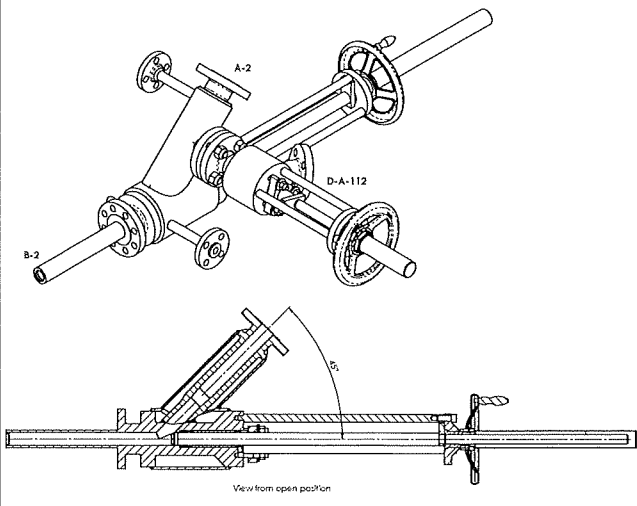
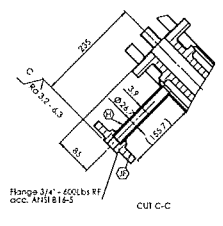
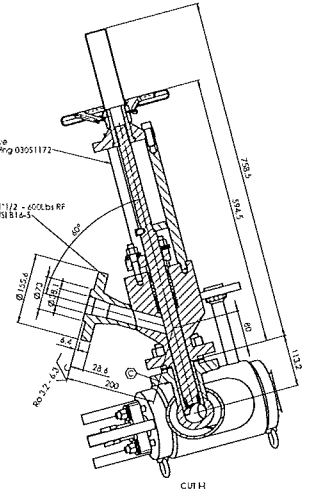
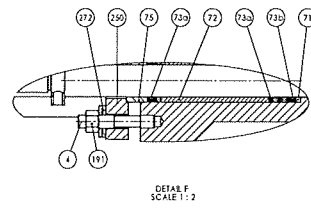
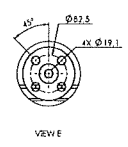
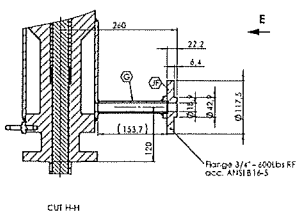
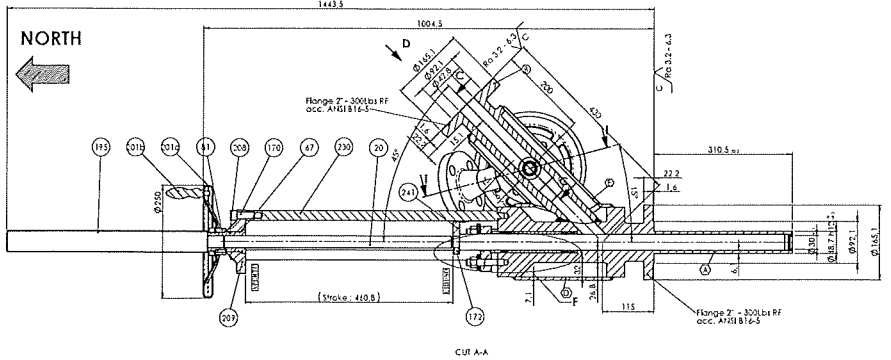
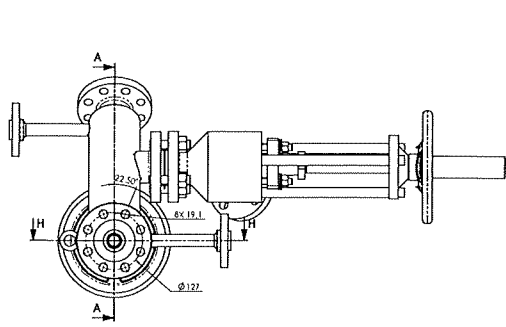
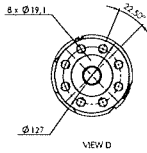
NOZZLE	DN	Rating	Type
A-2	2"	600Lbs	Flange RF
B-2	2"	600Lbs	Flange RF
D-A-112	1 1/2"	600Lbs	Flange RF
JF1-34	3/4"	600Lbs	Flange RF
JF2-34	3/4"	600Lbs	Flange RF

QTY	DESCRIPTION	UNIT	REVISION
1	VALVE BODY	1	1
2	VALVE PLATE	1	1
3	VALVE PLATE GASKET	1	1
4	VALVE PLATE NUT	1	1
5	VALVE PLATE WASHER	1	1
6	VALVE PLATE PIN	1	1
7	VALVE PLATE PIN WASHER	1	1
8	VALVE PLATE PIN NUT	1	1
9	VALVE PLATE PIN WASHER	1	1
10	VALVE PLATE PIN NUT	1	1
11	VALVE PLATE PIN WASHER	1	1
12	VALVE PLATE PIN NUT	1	1
13	VALVE PLATE PIN WASHER	1	1
14	VALVE PLATE PIN NUT	1	1
15	VALVE PLATE PIN WASHER	1	1
16	VALVE PLATE PIN NUT	1	1
17	VALVE PLATE PIN WASHER	1	1
18	VALVE PLATE PIN NUT	1	1
19	VALVE PLATE PIN WASHER	1	1
20	VALVE PLATE PIN NUT	1	1
21	VALVE PLATE PIN WASHER	1	1
22	VALVE PLATE PIN NUT	1	1
23	VALVE PLATE PIN WASHER	1	1
24	VALVE PLATE PIN NUT	1	1
25	VALVE PLATE PIN WASHER	1	1
26	VALVE PLATE PIN NUT	1	1
27	VALVE PLATE PIN WASHER	1	1
28	VALVE PLATE PIN NUT	1	1
29	VALVE PLATE PIN WASHER	1	1
30	VALVE PLATE PIN NUT	1	1
31	VALVE PLATE PIN WASHER	1	1
32	VALVE PLATE PIN NUT	1	1
33	VALVE PLATE PIN WASHER	1	1
34	VALVE PLATE PIN NUT	1	1
35	VALVE PLATE PIN WASHER	1	1
36	VALVE PLATE PIN NUT	1	1
37	VALVE PLATE PIN WASHER	1	1
38	VALVE PLATE PIN NUT	1	1
39	VALVE PLATE PIN WASHER	1	1
40	VALVE PLATE PIN NUT	1	1
41	VALVE PLATE PIN WASHER	1	1
42	VALVE PLATE PIN NUT	1	1
43	VALVE PLATE PIN WASHER	1	1
44	VALVE PLATE PIN NUT	1	1
45	VALVE PLATE PIN WASHER	1	1
46	VALVE PLATE PIN NUT	1	1
47	VALVE PLATE PIN WASHER	1	1
48	VALVE PLATE PIN NUT	1	1
49	VALVE PLATE PIN WASHER	1	1
50	VALVE PLATE PIN NUT	1	1
51	VALVE PLATE PIN WASHER	1	1
52	VALVE PLATE PIN NUT	1	1
53	VALVE PLATE PIN WASHER	1	1
54	VALVE PLATE PIN NUT	1	1
55	VALVE PLATE PIN WASHER	1	1
56	VALVE PLATE PIN NUT	1	1
57	VALVE PLATE PIN WASHER	1	1
58	VALVE PLATE PIN NUT	1	1
59	VALVE PLATE PIN WASHER	1	1
60	VALVE PLATE PIN NUT	1	1
61	VALVE PLATE PIN WASHER	1	1
62	VALVE PLATE PIN NUT	1	1
63	VALVE PLATE PIN WASHER	1	1
64	VALVE PLATE PIN NUT	1	1
65	VALVE PLATE PIN WASHER	1	1
66	VALVE PLATE PIN NUT	1	1
67	VALVE PLATE PIN WASHER	1	1
68	VALVE PLATE PIN NUT	1	1
69	VALVE PLATE PIN WASHER	1	1
70	VALVE PLATE PIN NUT	1	1
71	VALVE PLATE PIN WASHER	1	1
72	VALVE PLATE PIN NUT	1	1
73	VALVE PLATE PIN WASHER	1	1
74	VALVE PLATE PIN NUT	1	1
75	VALVE PLATE PIN WASHER	1	1
76	VALVE PLATE PIN NUT	1	1
77	VALVE PLATE PIN WASHER	1	1
78	VALVE PLATE PIN NUT	1	1
79	VALVE PLATE PIN WASHER	1	1
80	VALVE PLATE PIN NUT	1	1
81	VALVE PLATE PIN WASHER	1	1
82	VALVE PLATE PIN NUT	1	1
83	VALVE PLATE PIN WASHER	1	1
84	VALVE PLATE PIN NUT	1	1
85	VALVE PLATE PIN WASHER	1	1
86	VALVE PLATE PIN NUT	1	1
87	VALVE PLATE PIN WASHER	1	1
88	VALVE PLATE PIN NUT	1	1
89	VALVE PLATE PIN WASHER	1	1
90	VALVE PLATE PIN NUT	1	1
91	VALVE PLATE PIN WASHER	1	1
92	VALVE PLATE PIN NUT	1	1
93	VALVE PLATE PIN WASHER	1	1
94	VALVE PLATE PIN NUT	1	1
95	VALVE PLATE PIN WASHER	1	1
96	VALVE PLATE PIN NUT	1	1
97	VALVE PLATE PIN WASHER	1	1
98	VALVE PLATE PIN NUT	1	1
99	VALVE PLATE PIN WASHER	1	1
100	VALVE PLATE PIN NUT	1	1

Materiali di riferimento:
 1. I materiali sono da scegliere in base alle condizioni di servizio.
 2. I materiali sono da scegliere in base alle condizioni di servizio.

IAG n°: SV-100

REV	DATE	DESCRIPTION	BY	CHK
01	12/20/10	INITIAL DESIGN
02	01/20/11	REVISION
03	02/20/11	REVISION
04	03/20/11	REVISION
05	04/20/11	REVISION
06	05/20/11	REVISION
07	06/20/11	REVISION
08	07/20/11	REVISION
09	08/20/11	REVISION
10	09/20/11	REVISION
11	10/20/11	REVISION
12	11/20/11	REVISION
13	12/20/11	REVISION
14	01/20/12	REVISION
15	02/20/12	REVISION
16	03/20/12	REVISION
17	04/20/12	REVISION
18	05/20/12	REVISION
19	06/20/12	REVISION
20	07/20/12	REVISION
21	08/20/12	REVISION
22	09/20/12	REVISION
23	10/20/12	REVISION
24	11/20/12	REVISION
25	12/20/12	REVISION
26	01/20/13	REVISION
27	02/20/13	REVISION
28	03/20/13	REVISION
29	04/20/13	REVISION
30	05/20/13	REVISION
31	06/20/13	REVISION
32	07/20/13	REVISION
33	08/20/13	REVISION
34	09/20/13	REVISION
35	10/20/13	REVISION
36	11/20/13	REVISION
37	12/20/13	REVISION
38	01/20/14	REVISION
39	02/20/14	REVISION
40	03/20/14	REVISION
41	04/20/14	REVISION
42	05/20/14	REVISION
43	06/20/14	REVISION
44	07/20/14	REVISION
45				



QTY	REF	DESCRIPTION	UNIT	REVISION
23	03051172	03051172	1	1
13	20308	20308	1	1
24	20307	20307	1	1
25	20310	20310	1	1
26	20311	20311	1	1
27	20312	20312	1	1
28	20313	20313	1	1
29	20314	20314	1	1
30	20315	20315	1	1
31	20316	20316	1	1
32	20317	20317	1	1
33	20318	20318	1	1
34	20319	20319	1	1
35	20320	20320	1	1
36	20321	20321	1	1
37	20322	20322	1	1
38	20323	20323	1	1
39	20324	20324	1	1
40	20325	20325	1	1
41	20326	20326	1	1
42	20327	20327	1	1
43	20328	20328	1	1
44	20329	20329	1	1
45	20330	20330	1	1
46	20331	20331	1	1
47	20332	20332	1	1
48	20333	20333	1	1
49	20334	20334	1	1
50	20335	20335	1	1
51	20336	20336	1	1
52	20337	20337	1	1
53	20338	20338	1	1
54	20339	20339	1	1
55	20340	20340	1	1
56	20341	20341	1	1
57	20342	20342	1	1
58	20343	20343	1	1
59	20344	20344	1	1
60	20345	20345	1	1
61	20346	20346	1	1
62	20347	20347	1	1
63	20348	20348	1	1
64	20349	20349	1	1
65	20350	20350	1	1
66	20351	20351	1	1
67	20352	20352	1	1
68	20353	20353	1	1
69	20354	20354	1	1
70	20355	20355	1	1
71	20356	20356	1	1
72	20357	20357	1	1
73	20358	20358	1	1
74	20359	20359	1	1
75	20360	20360	1	1
76	20361	20361	1	1
77	20362	20362	1	1
78	20363	20363	1	1
79	20364	20364	1	1
80	20365	20365	1	1
81	20366	20366	1	1
82	20367	20367	1	1
83	20368	20368	1	1
84	20369	20369	1	1
85	20370	20370	1	1
86	20371	20371	1	1
87	20372	20372	1	1
88	20373	20373	1	1
89	20374	20374	1	1
90	20375	20375	1	1
91	20376	20376	1	1
92	20377	20377	1	1
93	20378	20378	1	1
94	20379	20379	1	1
95	20380	20380	1	1
96	20381	20381	1	1
97	20382	20382	1	1
98	20383	20383	1	1
99	20384	20384	1	1
100	20385	20385	1	1

CLIENT:	Eni Sp A. Divisione RAM Raffinazione
PROJET:	PIPIRATO EST EST UNITA' ASSOCIATE FERRERA ERBOGNONE (PV)
ENI P.O. No.	3500023748
REM N°	7

NOZZLE	DN	Rating	Type
A-2	2"	300Lbs	Flange RF Inlet
B-2	2"	300Lbs	Flange RF Outlet
D-A-112	1 1/2"	600Lbs	Flange RF Drain
J1-34	3/4"	600Lbs	Flange RF Jacket Inlet
J2-34	3/4"	600Lbs	Flange RF Jacket Outlet

Applicable API specifications:
 API 600-6A7052
 API 600-6A7070
 API 600-6A-60719 (Painting spec.)

Material reference: EN 1.4301 (316Ti) stainless steel
 Other reference: EN 1.4301 (316Ti) stainless steel
 Flange packing: Viton R3 64
 Working coefficient: 1

Material requirements:
 EN 10204-3.1 certificate for all parts
 EN 10204-3.2 certificate for all parts
 EN 10204-3.3 certificate for all parts
 EN 10204-3.4 certificate for all parts
 EN 10204-3.5 certificate for all parts
 EN 10204-3.6 certificate for all parts
 EN 10204-3.7 certificate for all parts
 EN 10204-3.8 certificate for all parts
 EN 10204-3.9 certificate for all parts
 EN 10204-3.10 certificate for all parts
 EN 10204-3.11 certificate for all parts
 EN 10204-3.12 certificate for all parts
 EN 10204-3.13 certificate for all parts
 EN 10204-3.14 certificate for all parts
 EN 10204-3.15 certificate for all parts
 EN 10204-3.16 certificate for all parts
 EN 10204-3.17 certificate for all parts
 EN 10204-3.18 certificate for all parts
 EN 10204-3.19 certificate for all parts
 EN 10204-3.20 certificate for all parts
 EN 10204-3.21 certificate for all parts
 EN 10204-3.22 certificate for all parts
 EN 10204-3.23 certificate for all parts
 EN 10204-3.24 certificate for all parts
 EN 10204-3.25 certificate for all parts
 EN 10204-3.26 certificate for all parts
 EN 10204-3.27 certificate for all parts
 EN 10204-3.28 certificate for all parts
 EN 10204-3.29 certificate for all parts
 EN 10204-3.30 certificate for all parts
 EN 10204-3.31 certificate for all parts
 EN 10204-3.32 certificate for all parts
 EN 10204-3.33 certificate for all parts
 EN 10204-3.34 certificate for all parts
 EN 10204-3.35 certificate for all parts
 EN 10204-3.36 certificate for all parts
 EN 10204-3.37 certificate for all parts
 EN 10204-3.38 certificate for all parts
 EN 10204-3.39 certificate for all parts
 EN 10204-3.40 certificate for all parts
 EN 10204-3.41 certificate for all parts
 EN 10204-3.42 certificate for all parts
 EN 10204-3.43 certificate for all parts
 EN 10204-3.44 certificate for all parts
 EN 10204-3.45 certificate for all parts
 EN 10204-3.46 certificate for all parts
 EN 10204-3.47 certificate for all parts
 EN 10204-3.48 certificate for all parts
 EN 10204-3.49 certificate for all parts
 EN 10204-3.50 certificate for all parts
 EN 10204-3.51 certificate for all parts
 EN 10204-3.52 certificate for all parts
 EN 10204-3.53 certificate for all parts
 EN 10204-3.54 certificate for all parts
 EN 10204-3.55 certificate for all parts
 EN 10204-3.56 certificate for all parts
 EN 10204-3.57 certificate for all parts
 EN 10204-3.58 certificate for all parts
 EN 10204-3.59 certificate for all parts
 EN 10204-3.60 certificate for all parts
 EN 10204-3.61 certificate for all parts
 EN 10204-3.62 certificate for all parts
 EN 10204-3.63 certificate for all parts
 EN 10204-3.64 certificate for all parts
 EN 10204-3.65 certificate for all parts
 EN 10204-3.66 certificate for all parts
 EN 10204-3.67 certificate for all parts
 EN 10204-3.68 certificate for all parts
 EN 10204-3.69 certificate for all parts
 EN 10204-3.70 certificate for all parts
 EN 10204-3.71 certificate for all parts
 EN 10204-3.72 certificate for all parts
 EN 10204-3.73 certificate for all parts
 EN 10204-3.74 certificate for all parts
 EN 10204-3.75 certificate for all parts
 EN 10204-3.76 certificate for all parts
 EN 10204-3.77 certificate for all parts
 EN 10204-3.78 certificate for all parts
 EN 10204-3.79 certificate for all parts
 EN 10204-3.80 certificate for all parts
 EN 10204-3.81 certificate for all parts
 EN 10204-3.82 certificate for all parts
 EN 10204-3.83 certificate for all parts
 EN 10204-3.84 certificate for all parts
 EN 10204-3.85 certificate for all parts
 EN 10204-3.86 certificate for all parts
 EN 10204-3.87 certificate for all parts
 EN 10204-3.88 certificate for all parts
 EN 10204-3.89 certificate for all parts
 EN 10204-3.90 certificate for all parts
 EN 10204-3.91 certificate for all parts
 EN 10204-3.92 certificate for all parts
 EN 10204-3.93 certificate for all parts
 EN 10204-3.94 certificate for all parts
 EN 10204-3.95 certificate for all parts
 EN 10204-3.96 certificate for all parts
 EN 10204-3.97 certificate for all parts
 EN 10204-3.98 certificate for all parts
 EN 10204-3.99 certificate for all parts
 EN 10204-3.100 certificate for all parts

IAG n° : SV85

REV	DESCRIPTION	DATE	BY	CHK
01	Issue for approval	05/09/2012	EP	EP
02	Issue for production	31/05/2013	EP	EP
03	Issue for production	28/05/2012	EP	EP
04	Issue for production	11/04/2012	EP	EP

97/25 CE

Shelman Job n° : 1240-01-07

TESTING PRESSURES

Stratman VALVES FRANCE

M Seal Piston Valve 2" / 2" 300lbs

SCALE: 1:4 A0 118.1 kg

030D1101