

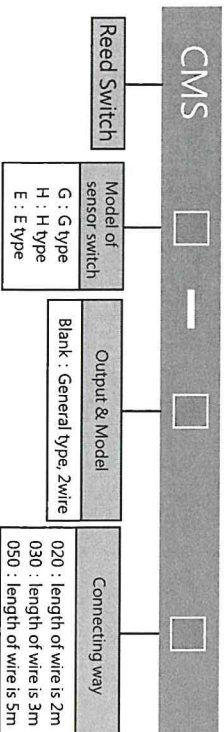
Precautions

1. Do Not use the product in the places surrounded by explosive gas because it has no anti-explosion design.
2. Do Not use the product in the places surrounded by magnetic field. Otherwise, it may cause a malfunction or attenuate magnetism of the magnet fixed in the cylinder.
3. Do Not use the product in humid or aquatic places.
4. Do Not use the product in the places surrounded by oil or chemical substances.
5. External impact may cause a malfunction.
6. Voltage impulse may cause damage to internal electrical components.
7. Voltage impulse absorbing components shall be installed if the product directly drives relays or solenoid valves.
8. If a relay is used as a switch for power supply, an additional capacitance shall be connected between V+ and ground so as to suppress inrush current.
(The capacitance is recommended to be greater than 100 μ F under 50 Volt.)

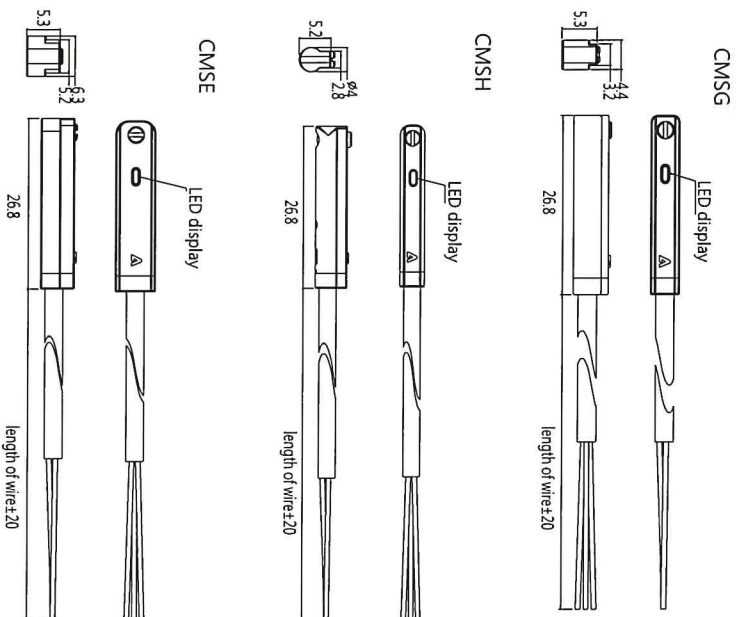
Specifications

Model	two wire general type	two wire high temp. type
Operating voltage	5~240V AC/DC	
Max. Switching current	100mA	
Switching capacity	Max. 10 W	
Current consumption	No	
Voltage drop	2.5VMax @100mADC	No
Leakage current	No	
Max. Switching Freq.	200 Hz	
Temperature range	-10~70 °C	-10~125 °C
Enclosure classification	IP65	
Protection circuit	No	

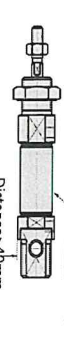
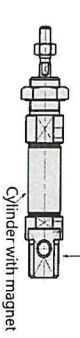
Ordering code

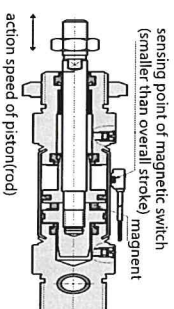


Dimension

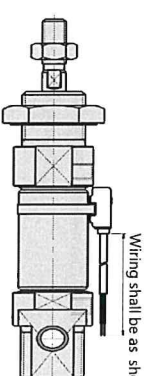


How to correctly select switch

1. Confirmation of specification
Load current, voltage, temperature and impact performance beyond the scope of specification in product sample are not allowed to be used to avoid poor action or damage of magnetic switch.
2. Confirmation of distance
The distance between two cylinders shall be longer than 40mm to prevent wrong action caused by magnetic interfere between two magnetic switches when the cylinders with magnet are horizontally used.

3. Confirmation of action speed of the cylinder
Magnetic switch is set in the middle position of the stroke. What shall be noticed is that may be no drive load action exists if the speed of piston is too fast and the action duration of magnetic switch becomes shorter under the situation the load is driven by electrical signal sent by magnetic switch when piston passes through. If the speed of piston is higher than the maximum allowable, speed, magnetic switch with time-extending function shall be selected.




4. Confirmation of the length of wiring
Magnetic switch with contact
If the wiring that ends in load is too long, the service life will be shortened when the suddenly added current is increased as the switch is supplied with power.



5. Confirmation of internal voltage drop of magnetic switch

Magnetic switch with contact

Switch with indicator

1. When switch are connected in series, as there is internal resistance in led, pay attention to the raising of the voltage drop (when n switches are connected in series, the voltage drop is n times of the voltage of one switch), if the switch is used under the specified voltage, all magnetic can work normally, but load may not act. What must be affirmed is that the load voltage shall be above the lowest operating voltage, which shall meet the following formula:
internal voltage drop of power voltage switch > loaded lowest operating voltage.