



Ident-No. 130679

Order number 8040/1180X-10L07BA05  
Control Unit System Series ConSig 8040  
Mushroom stay-put button



#### Explosion protection

##### Global (IECEX)

IECEX certification **IECEX PTB 06.0025**

**Ex de ia/ib [ia/ib] m II, IIA, IIB, IIC, T6, T5, T4**

**Ex tD A21 IP65 T80°C, T95°C**

Gas explosion protection **PTB 01 ATEX 1105**

**⊕ II 2 G Ex edqm ia/ib [ia/ib] II, IIA, IIB, IIC, T6, T5, T4**

**⊕ II 2 D Ex tD A21 IP65 T80°C, T95°C, T130°C**

Certificates **IECEX, ATEX, Brazil (UL do Brasil), China (CQST Ex), Canada (CSA), Kazakhstan (GOST-K), Russia (GOST-R), Taiwan (ITRI), Ukraine (GOST-U), USA (UL), Belarus (GOST-B)**

#### Electrical data

Rated operational voltage max. 690 V AC V

Rated operational current depends on components used

#### Mechanical data

##### Material

Enclosure material Polyester resin, glass-fibre-reinforced

Cover fixing with captive M4 stainless steel socket head cap screws

Seal PU foam

Ambient temperature - 50 ... + 60 °C

Weight 0.400 kg

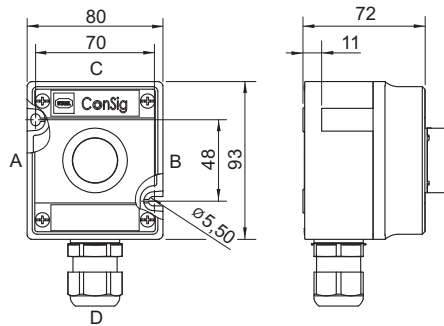
Cable entry **1 x M 25 x 1,5; 8161 (in moulded material); Side D below**

Flanges **ohne Flansch und Metallplatte**

Degree of protection **IP66**

#### Dimensions

Dimension drawings (all dimensions in mm) - subject to alterations



We reserve the right to make alterations to the technical data, weights, dimensions, designs and products available without notice. The illustrations cannot be considered binding.