

This drawing is exclusive property of ULTRA POMPE srl without written license of the owner. It is not allowed to use it for manufacturing the object hereabove described, or to take pieces of information from it, as it is stated in the european community property law

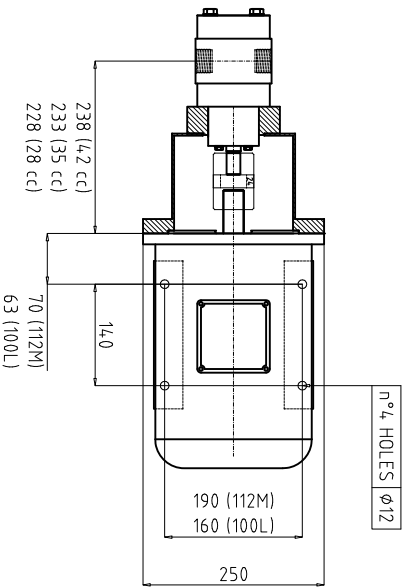
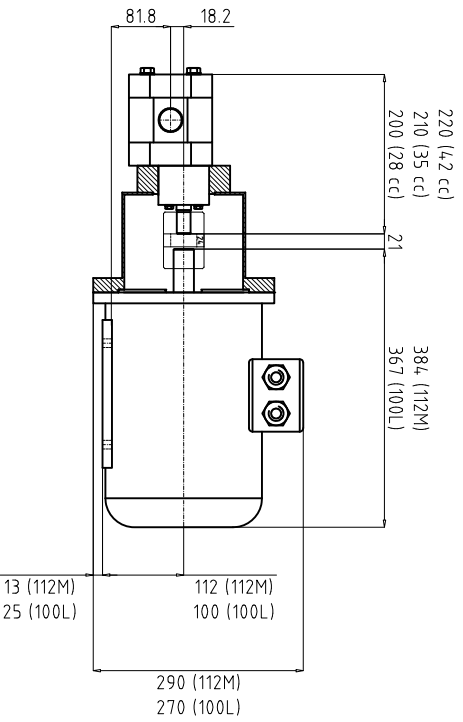


Dimension:
mm

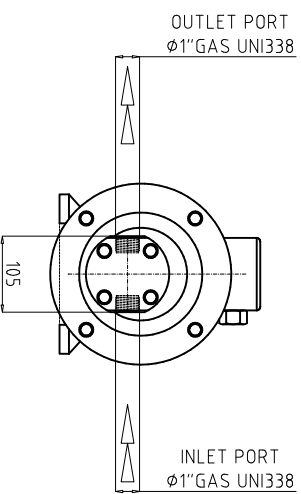
Date:

Autore/Drawen by:
D. Affo

ULTRA POMPE S.r.l.
Via Goldoni 37 | 20090 Trezzano S/N (MI) | T. 02/4845452 | F. 02/4845454



Rotation R (Right)



IN and OUT pipes must be screwed into the respective ports without any tension, independently supported and the weight must not rest on the pump.

As standard pump are meant to be installed with right (R) rotation. On pumps label is indicated if the pumps can work in both sense (L/R) or if is limited to only one rotation sense (L or R)

Available motor power:	KW2.2 4P, KW3 4P
Size 100L	KW1.5 6P KW0.75 8P, KW1.1 8P
Size 112M	KW4 4P KW2.2 6P KW1.5 8P

Pump type:
GL/SL/HL-28/35/42-...

Drive unit type:
Mot. B3/B5 100/112

Coupling on pump:
R24 Ø19

Coupling on drive unit:
R24 Ø28