

# SUBMERSIBLE SLUDGEMASTER TECHNICAL DATA SHEET

## SERIES

### SUBMERSIBLE CENTRIFUGAL PUMPS

Model Number: SMA3,6AM1

## PERFORMANCE

### CAPACITY

- 0 to 300 gallons per minute  
(0 to 1140 liters per minute)

### AIR DISTRIBUTION VALVE

- No-lube, no-stall design

### SOLIDS-HANDLING

- Up to 1.5 in. (40 mm)

### MAXIMUM OPERATING PRESSURE

- 100 psi (7 bar)

### MATERIAL OF CONSTRUCTION

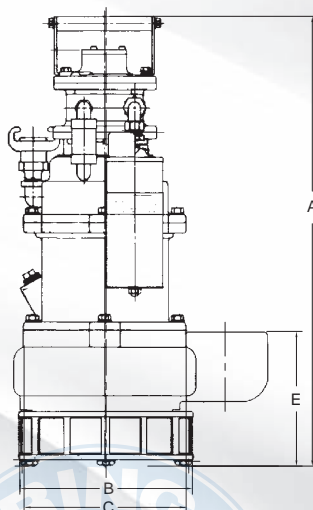
- Wetted-Aluminum
- Non-Wetted-Aluminum

### PORTING

- 3" NPT

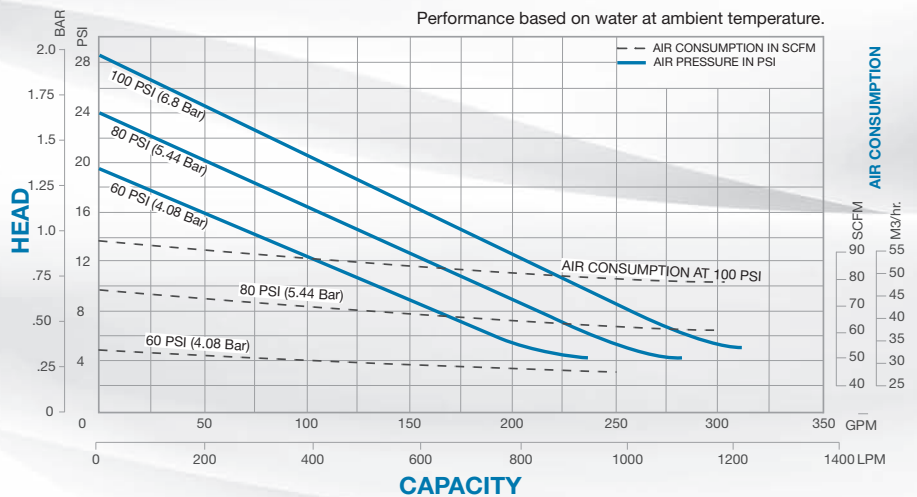


## DIMENSIONS



Dimensions: Tolerance  $\pm 1/8"$  ( $\pm 3$ mm)

A	B	C	D
Height	Width	Depth	Base To Center Discharge
23.51" (597 mm)	13" (330 mm)	9" (229 mm)	7.11" (180 mm)



### 5 YEAR LIMITED PRODUCT WARRANTY

5 Year Guarantee for defects in material or workmanship. See [sandpiperpump.com/content/warranty-certifications](http://sandpiperpump.com/content/warranty-certifications) for complete warranty, including terms and conditions, limitations and exclusions.



### USE ONLY GENUINE SANDPIPER PARTS

All certification, standards, guarantees & warranties originally supplied with this pump will be invalidated by the use of service parts not identified as "Genuine SANDPIPER Parts."

**SANDPIPER**  
SANDPIPERPUMP.COM

Warren Rupp, Inc. • A Unit of IDEX Corporation  
800 N. Main St., Mansfield, Ohio 44902 USA  
Telephone 419.524.8388 • Fax 419.522.7867



Tel: 866-777-6060  
Fax: 866-777-6383

Springer Pumps, LLC

Website: [www.springerpumps.com](http://www.springerpumps.com)  
Int'l: +001 267 404 2910