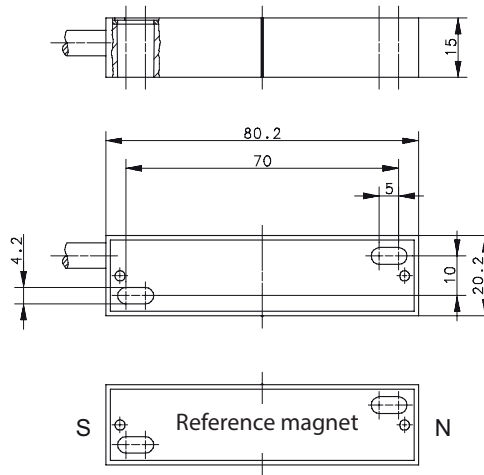
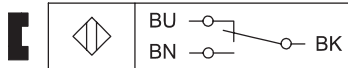


Magnetic Switch Series MAA-02

Description **MAA-0213-LT-1**

Article number **6316302389**

Wiring diagram



Technical data

Switching function	Switch-Over
Reference magnet	TA-21-02 (6305121064)
Assured operating distance - ON	S_a 30 mm
Assured operating distance - OFF	S_{ar} 70 mm
Repeat accuracy	R $\pm 0,1$ mm, under same geometrical conditions at the same temperature

Electrical data

Max. voltage	250 V
Max. switching current	1,0 A
Max. switching capacity	60 VA
Protection class acc. to EN 61140	I (protective earth)
Note	Combinations of switching voltage and switching current must not exceed the maximum switching capacity.

Mechanical data

Enclosure	GDAISI 12, red
Temperature range	-40 °C ... +150 °C
Mechanical life	3 x 10 ⁸ operating cycles
Shock	10 g (11 ms, ½ sine wave)
Vibration	15 g (50 - 2000 Hz)
Protection type	IP67 acc. EN 60529
Termination type	Cable 4 x 0,75 mm ² x 1 m \pm 5%; SIL-Outer jacket, black
Assembly position	optional (assembly on ferromagnetic material means reduction of switch distance)

ID for safety engineering	
B10d	0,5 x 10 ⁶ cycles

Standards	
	EN 60947-5-1
	EN 62246-1

EU Conformity	
	acc. to directive 2014/35/EU

Notes	
Contact protection must be provided for inductive and capacitive loads.	