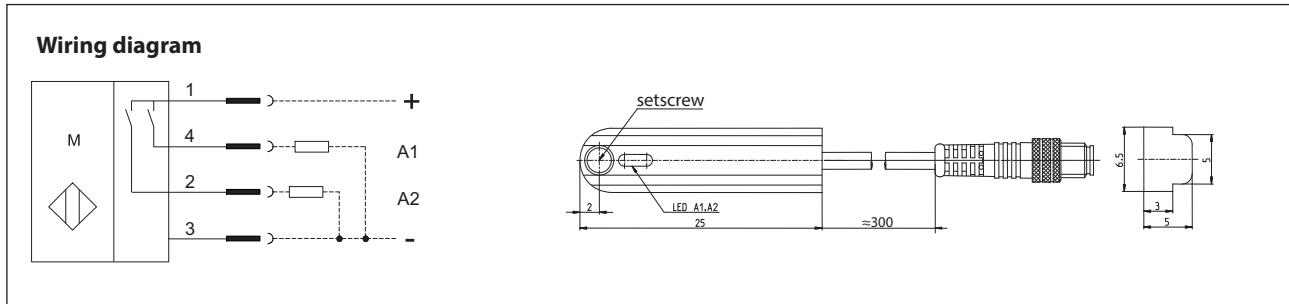


Magnetic Switch Series E30

Description **MEA-E30PS/HP2-KL0,3S8**

Article number **6370299188**



Identifying characteristics in accordance with EN 60947-5-2

| Electrical data | |
|---|---|
| Magnetic sensitivity | $\pm 1,5 \text{ mT} \dots \pm 13,5 \text{ mT}$ |
| Switching element function | DC, N.O., open collector, 2 switching points programmable |
| Repeat accuracy | R $\leq 0,1 \text{ mT}$ (constant U_B and ambient air temperature) |
| Differential travel (hysteresis) | H $1 \text{ mT} \leq H \leq 1,35 \text{ mT}$ |
| Operational voltage range | U_B 10 – 30 VDC |
| Rated insulation voltage | U_i 75 VDC |
| Voltage drop | U_d $< 2 \text{ V}$ @ 50 mA |
| Utilization category | DC-12 |
| Rated operational current | I_e $\leq 50 \text{ mA}$ (one output activated) $\leq 25 \text{ mA}$ per output (both outputs activated) |
| Leakage current | $< 25 \mu\text{A}$ |
| No-load supply current | I_o $< 10 \text{ mA}$ (not actuated) |
| Rated conditional short-circuit current | 100 A |
| Switching element | Hall |
| Short-circuit protection | pulsed |
| Mounting | from side T-Groove |
| False polarity protection | yes |

| Electromagnetic compatibility (EMC) | |
|---|---------------|
| Electromagnetic field test | IEC 61000-4-3 |
| Electrostatic discharge test | IEC 61000-4-2 |
| Electrical fast transient immunity test (Burst) | IEC 61000-4-4 |
| Conducted disturbances, inducted by high frequency electromagnetic fields | IEC 61000-4-6 |
| Radiated disturbance field strength | EN 55011 |

| Mechanical data | | |
|-------------------------|-----------|---|
| Enclosure | | AlMgSi0,5 (Aluminium) |
| Ambient air temperature | | -20°C ... +80°C (cable fixed mounted) |
| Type of protection | | IP 67 acc. to IEC 529, EN 60529 (only in fully locked position with it's plugs) |
| Function indication | Output A1 | LED orange, output indication / output activated |
| | Output A2 | LED yellow, output indication / output activated |
| Termination type | | Cable 0,3 m ±5 %, PUR - Outer jacket, black; with plug connector M8 |
| Attachment | | 1 x setscrew M3 x 6, DIN 913 1 x programming tool magnetic |

| EU Conformity | |
|---------------|------------------------------|
| | acc. to directive 2014/30/EU |