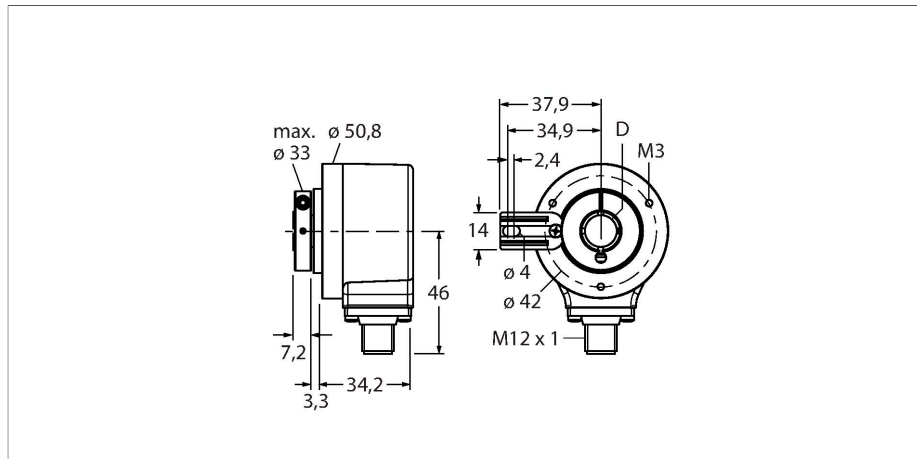


# RI-12H10T-2B360-H1181

## Incremental Encoder

### Industrial Line



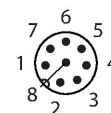
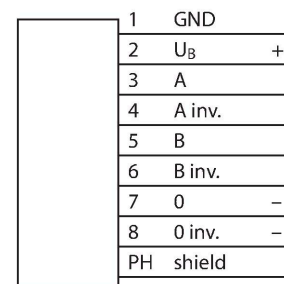
### Features

- Flange with torque stop, Ø 50.8 mm
- Hollow shaft, Ø 10 mm
- Optical measuring principle
- Shaft material: stainless steel
- Protection class IP67 on housing and shaft side
- -40...+85 °C
- Max. 6000 rpm (continuous operation 3000 rpm)
- 10...30 VDC
- Push-pull/HTL with inversion
- Pulse frequency max. 300 kHz
- M12 × 1 male, 8-pin
- 360 pulses per revolution

### Technical data

<b>Type</b>	RI-12H10T-2B360-H1181
Ident. no.	1544720
<b>Measuring principle</b>	Photoelectric
Max. Rotational Speed	6000 rpm
Moment of inertia of the rotor	$6 \times 10^{-6} \text{ kgm}^2$
Starting torque	< 0.05 Nm
Ambient temperature	-40...+85 °C
Operating voltage	10...30 VDC
No-load current	≤ 100 mA
Output current	≤ 30 mA
Short-circuit protection	yes
Wire breakage/Reverse polarity protection	yes
Output function	Push-Pull/HTL, invertable
Output type	incremental
Resolution, incremental	360 ppr
Pulse frequency max.	300 kHz
Signal level high	min. $U_B - 1 \text{ V}$
Signal level low	max. 0.5 V
<b>Design</b>	Hollow shaft
Flange type	Flange with torque stop
Flange diameter	Ø 50.8 mm
Shaft Type	Hollow shaft
Shaft diameter D (mm)	10
Shaft material	Stainless steel
Housing material	Die-cast zinc
Electrical connection	Connectors, M12 × 1

### Wiring diagram



## Technical data

	8-pin
Axial shaft load	40 N
Radial shaft load	80 N
Vibration resistance (EN 60068-2-6)	300 m/s <sup>2</sup> , 10...2000 Hz
Shock resistance (EN 60068-2-27)	3000 m/s <sup>2</sup> 6 ms
Protection class housing	IP67
Protection class shaft	IP67

Signal	Gnd	+U <sub>e</sub>	A	A inv.	B	B inv.	0	0 inv.	Shield
Pin configuration	1	2	3	4	5	6	7	8	PH

## Accessories

