




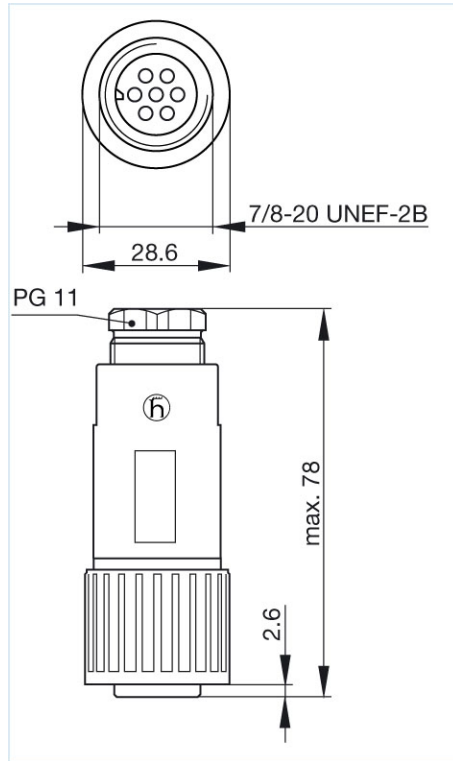
## Product information CM 06 EA 14S-61 S

Industrial Connecting Solutions: Circular Connectors: MIL, DIN, Universal Connectors: MIL-C-5015 or VG 95342 Connectors (CM series): Cable socket: CM 06 EA 14S-61 S

<http://www.e-catalog.beldensolutions.com/link/57078-24228-256281-256284-24363-24364-36145/en/conf/ui/state>

|  |   |
|--|---|
| Name                                     | CM 06 EA 14S-61 S   |
|  |    |
|  | Straight cable socket, strain relief by means of a clamp  |
| <b>Delivery informations</b>             |   |
| Availability                             | available   |
| <b>Product description</b>               |   |
| Description                              | Straight cable socket, strain relief by means of a clamp  |
| Type                                     | CM 06 EA 14S-61 S   |
| Order No.                                | 932 460-100   |
| Number of contacts                       | 6 + PE  |
| Cable gland                              | PG 11   |
| Cable diameter                           | 8 mm to 10 mm   |
| Conductor size                           | max. 1 mm <sup>2</sup>  |
| Standard                                 | MIL-C 5015 bzw. VG 95 342   |
| Housing Color                            | black   |
| <b>Technical data</b>                    |   |
| Pin dimensions                           | 1.6 mm  |
| Rated voltage                            | AC/DC 50 V  |
| Rated current                            | 10 A  |
| Contact resistance                       | <= 5 mOhm   |
| Type of termination                      | solder  |
| Shell size                               | 14S   |
| <b>Material</b>                          |   |
| Contact surface material                 | Ag  |
| Contact bearer material                  | PA 66-GF 25   |
| Housing material                         | PA 66-GF 25   |
| O-Ring                                   | NBR   |
| <b>Environmental conditions</b>          |   |
| Protection class (IEC 60529)             | IP 67   |
| Pollution severity                       | 3   |
| Temperature range                        | -40 °C to +90 °C  |
| <b>Inflammability class</b>              |   |
| Flammability, UL standard                | 94 V-1  |
| <b>Packing unit</b>                      |   |
| Packaging unit                           | 100 pieces  |
| <b>Scope of delivery and accessories</b> |   |
| Scope of delivery                        | 1 cable socket, not assembled, assembly instructions  |
| Accessories to order separately          | can be plugged into CM 02 E 14S-61 P, CM 02 L 14S-61 P (Metall), CM 02 L 14S-61 P F (Metall); cap CM 06 SD 14S, order no. 831 621-100 |

Picture  
Drawing



**Belden Deutschland GmbH**  
Im Gewerbepark 2  
58579 Schalksmühle  
Germany  
Phone: +49 7127/14-1806  
E-Mail: [icos-sales@belden.com](mailto:icos-sales@belden.com)

The information published in the websites has been compiled as carefully as possible. It is subject to alteration without notice in technical as well as in price-related/commercial respect. The complete information and data were available on user documentation. Mandatory information can only be obtained by a concrete query.